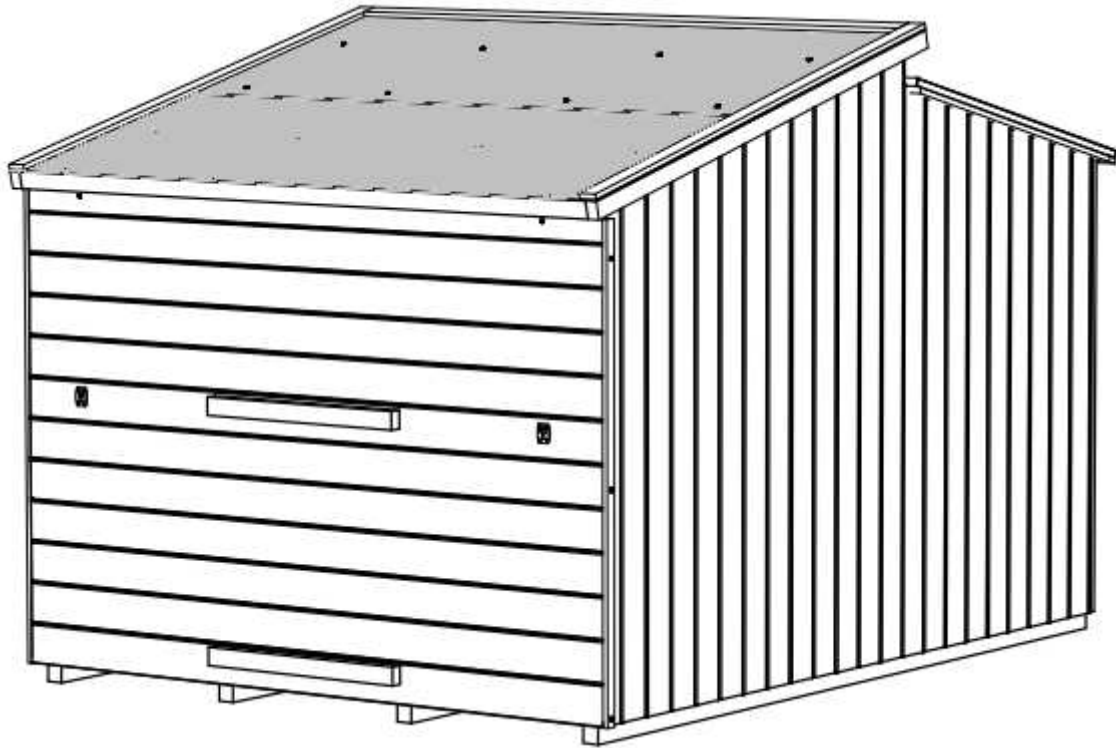


14
mm



PROD.Nr.:



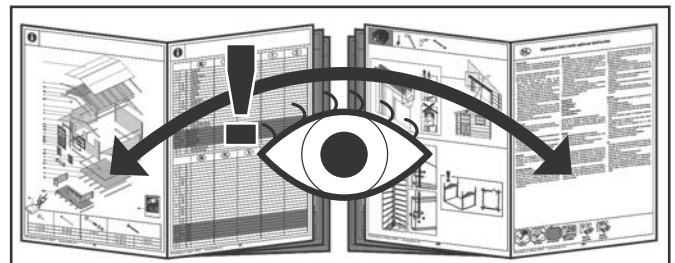
1415

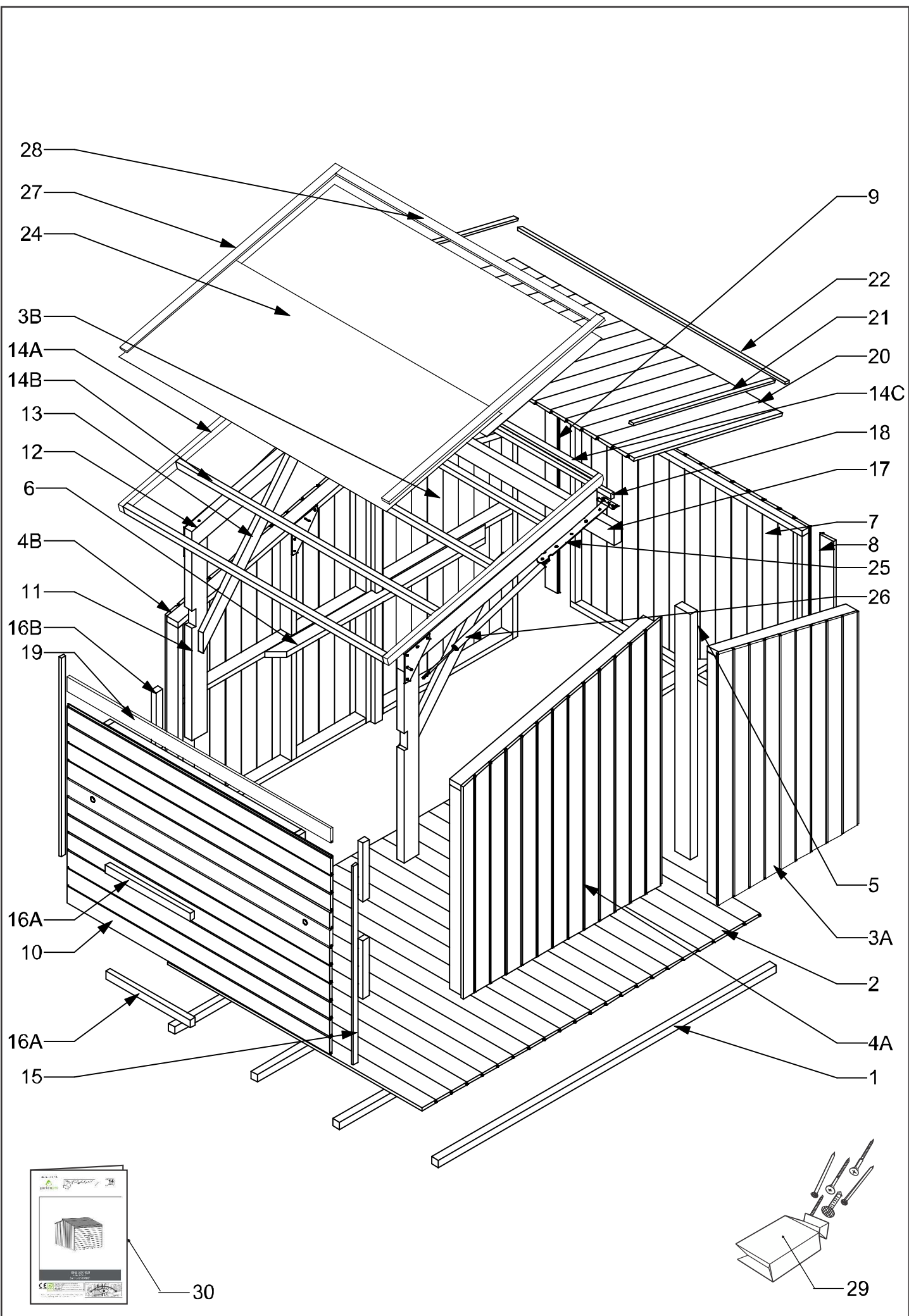
Gartenpro Kft.
9444 Fertőszentmiklós
Soproni úti ipartelep
HUNGARY
16
1415-CPR-43-(C-80/2015)
ETA-15/0873
ETAG 007



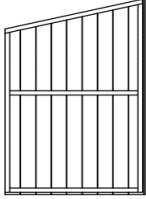

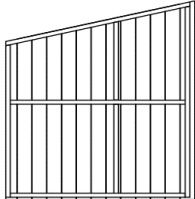
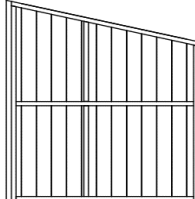


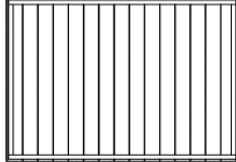
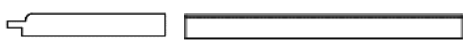
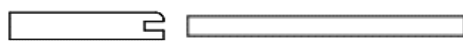
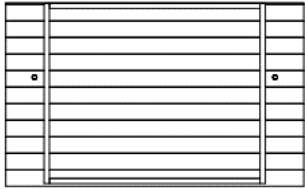
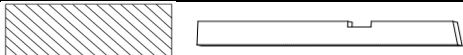


BIKE BOX_2 1520 F1R1B0
Art.Nr. G460045N
Ean.Nr.5999553064933









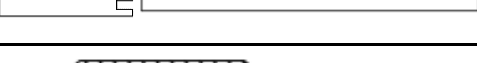
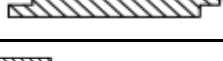

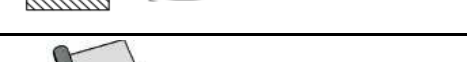


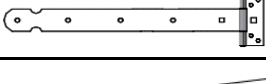







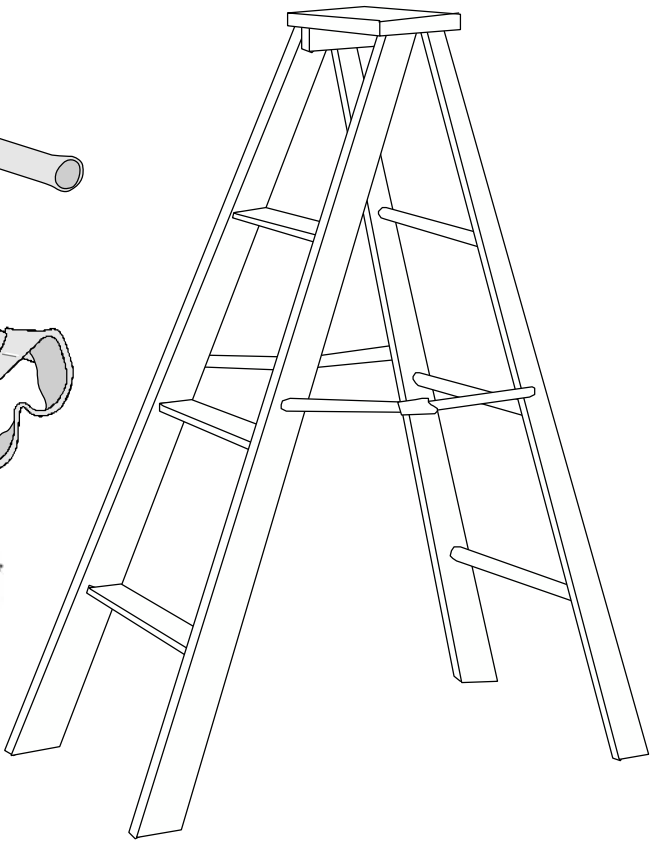
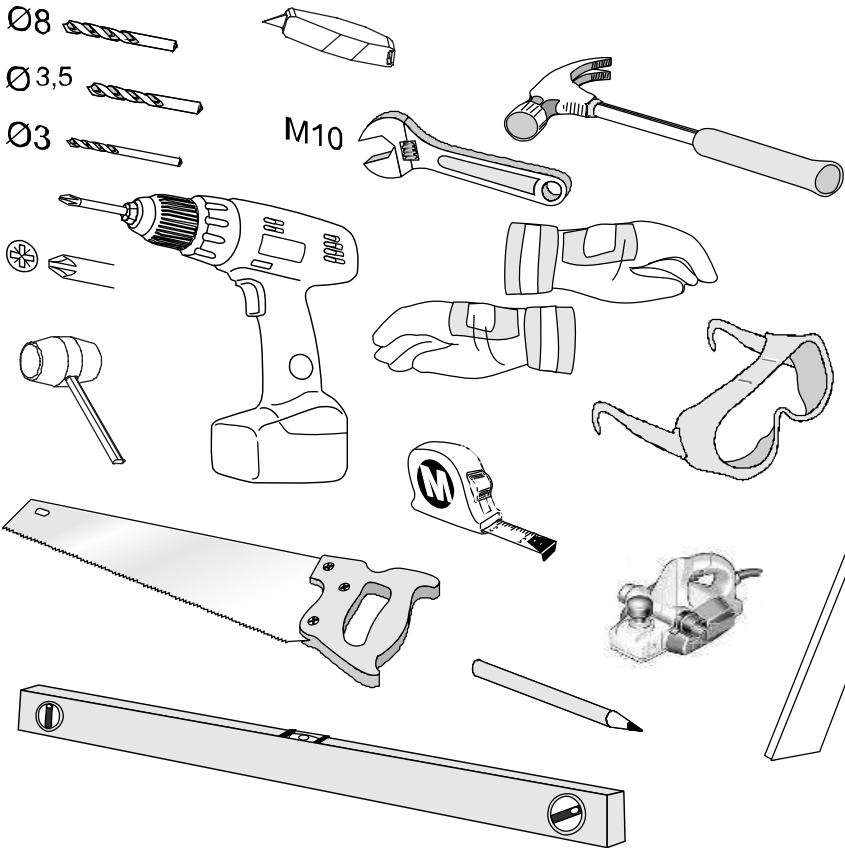
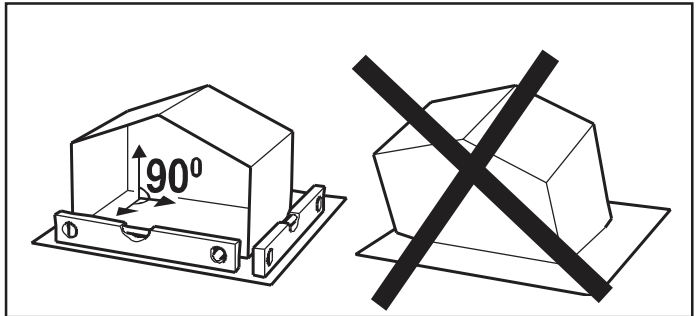
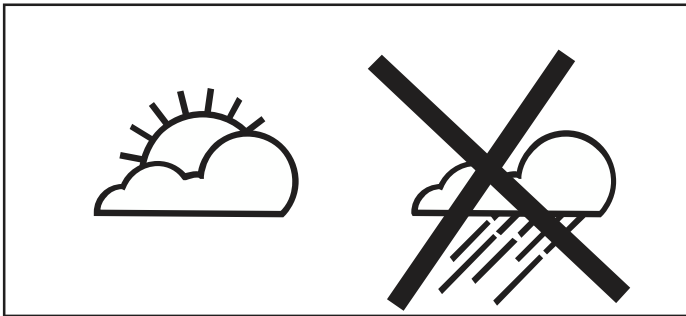
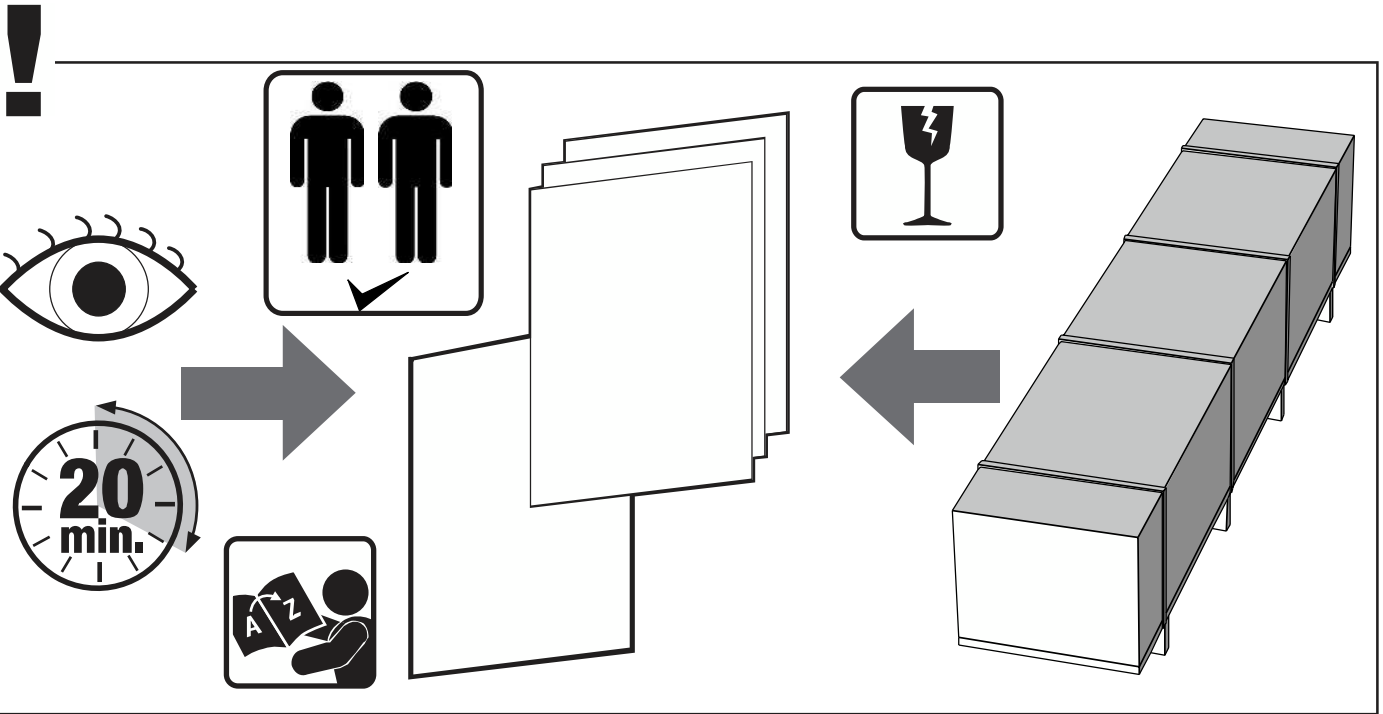
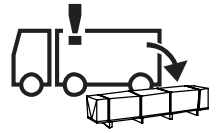
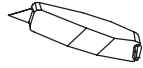
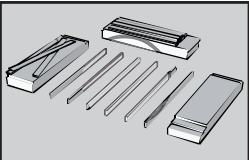
Hout voor Outdoor Life Products doorknuten en te gebruiken is vooral afkomstig uit gecertificeerde en goed beheerde bossen.
Wood used for our Outdoor Life Products cabins and garden houses is mostly sourced from certified and well-managed forests.
Das Holz für Outdoor Life Products Blockhäuschen und Gartenhäuser wird größtenteils aus zertifizierten Wäldern bezogen.
Les bois pour chalets et maisons de jardin de Outdoor Life Products proviennent en grande partie de forêts certifiées et gérées durablement.

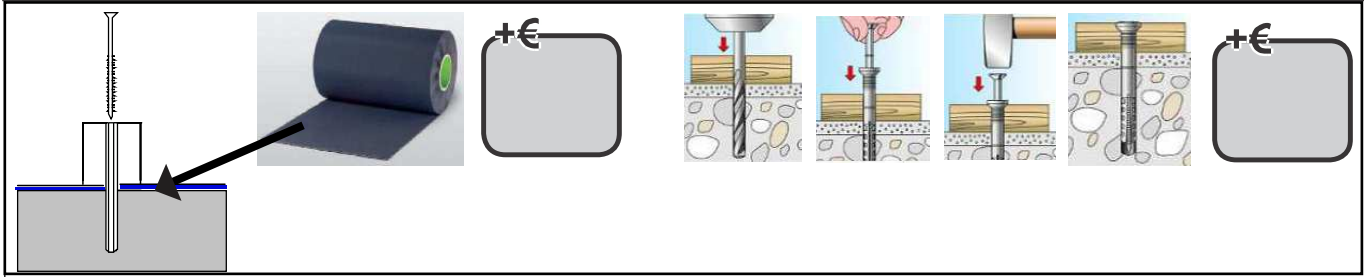
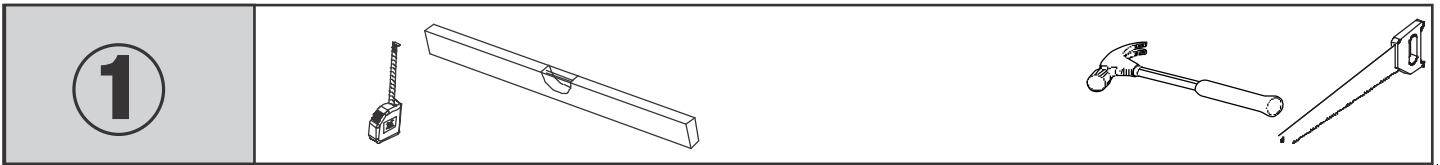




1	G60148011		38x38x2000mm	4 X
2.	G2222836		15x99x1500mm	22X
3A.	G2227318		826x1290mm	1X
3B.	G2227319		826x1290mm	1X
4A	G2227320		1172x1370mm	1X
4B	G2227321		1172x1370mm	1X
5.	G2227282		43x90x1256mm	2X
6.	G2227338		28x65x1300mm	2X
7.	G2227317		1370x1082mm	1X
8.	G2227334		13,5x78x1082mm	1X
9.	G2227334		13,5x78x1082mm	1X
10.	G2227322		1554x1018mm	1X
11.	G2227323		43x90x1000mm	2X
12.	G2227324		43x90x1192mm	2X
13.	G2227336		28x65x1000mm	2X

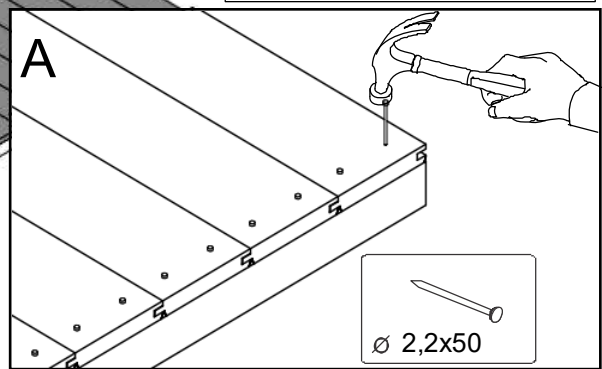
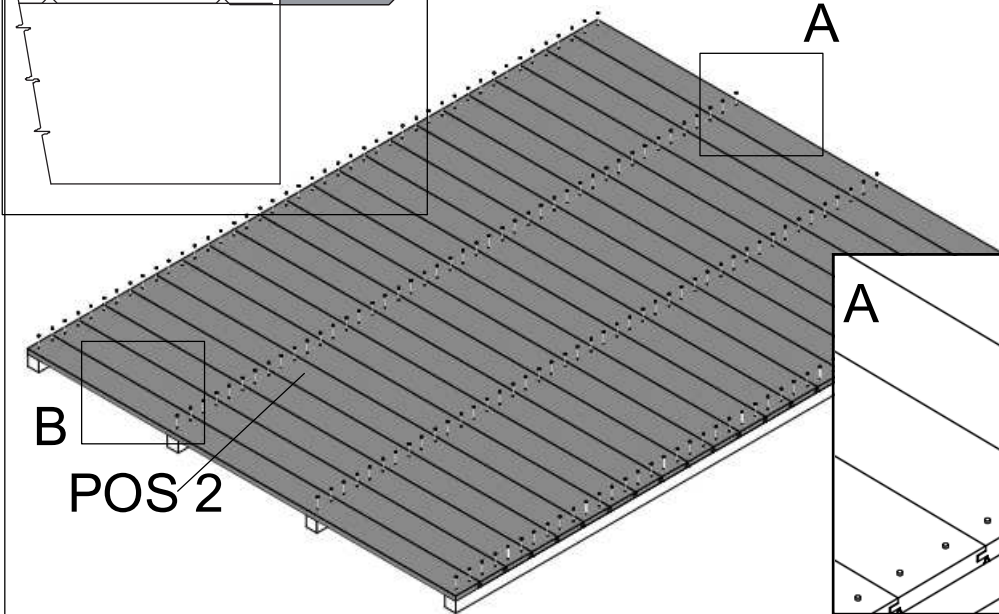
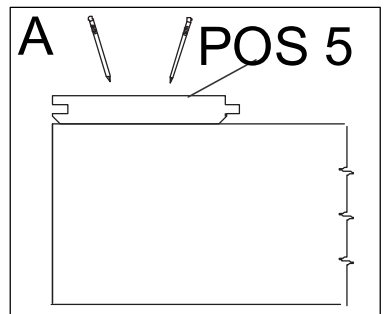
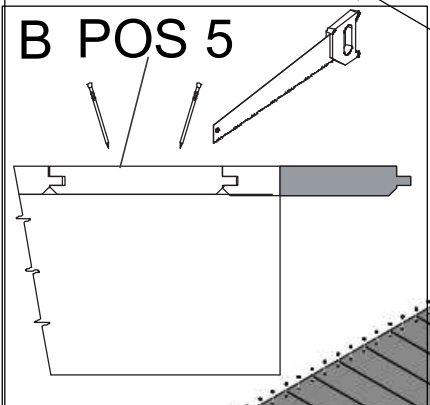
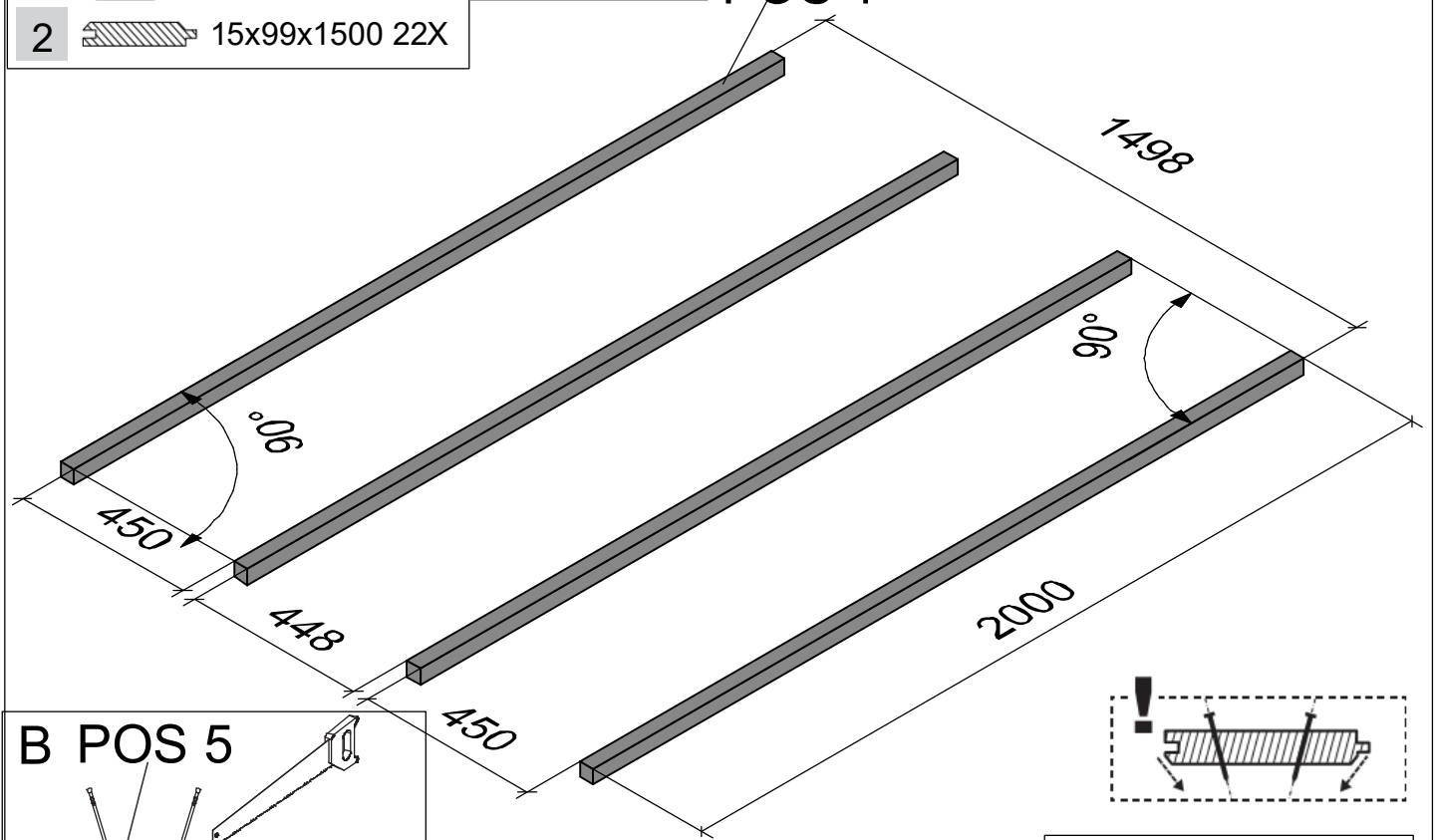
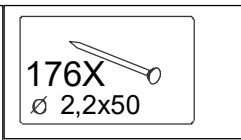
14A	G2227063		28x40x1310mm	2X
14B	G2227063		28x40x1535mm	4X
14C	G2221304		20,6x27,6x1535mm	1X
15.	G60147540		12x26x1060mm	2X
16A	G2227063		27,6x40x500mm	2X
16B	G2227063		27,6x40x300mm	4X
17.	G2227333		43x90x1500mm	1X
18.	G2221304		20,6x27,6x1370mm	1X
19.	G2227335		13,5x75x1554mm	1X
20.	G2227281		15x99x900mm	18X
21.	G60147540		12x26x860mm	2X
22.	G60147540		12x26x1580mm	1X
23.	G2227339		1000x1650mm	1X
24.	G545017		700x1580mm	2X
25.	G60146002		80x420mm	2X
26.	G101502		28x1100mm 400N	2X
27.	G2222996		12x42x1310mm	2X
28.	G2222949		12x42x1506mm	1X
29.	G7061192		Kell.cs.BIKEBOX	1X
30.	G6065190			1X



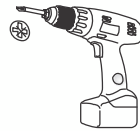
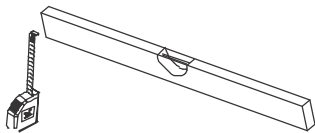


POS

1		38x38x2000 4X
2		15x99x1500 22X



2



POS

3B



826x1290 1X

4B



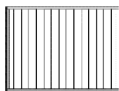
1370x1172 1X

26X

4x60mm

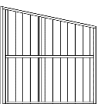


7



1370x1080 1X

4A



1370x1172 1X

3A



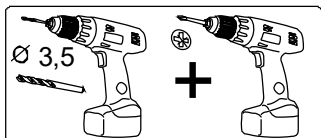
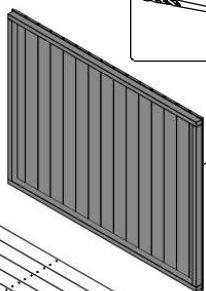
826x1290 1X

5



43x90x1244 2X

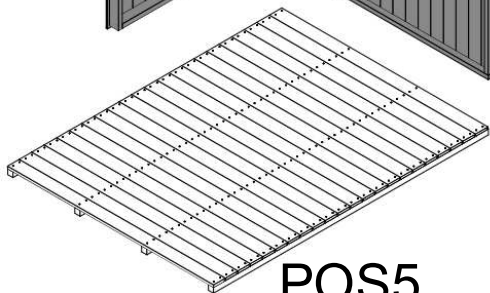
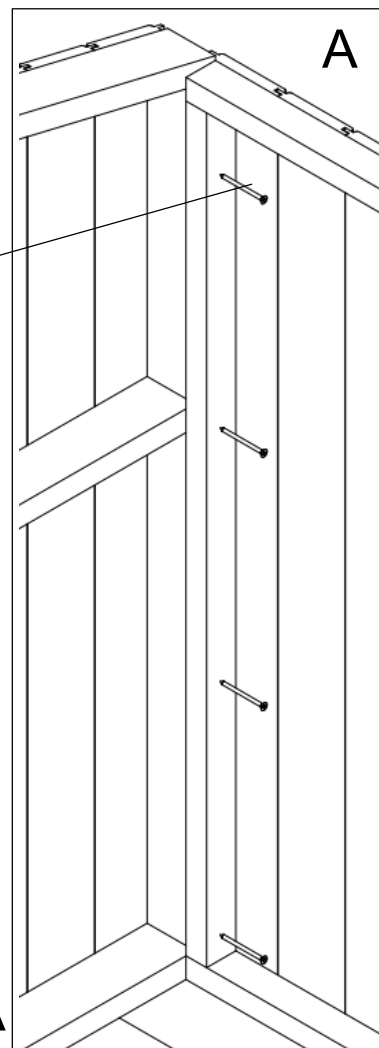
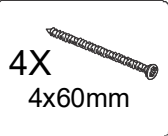
POS3B



POS7

4X

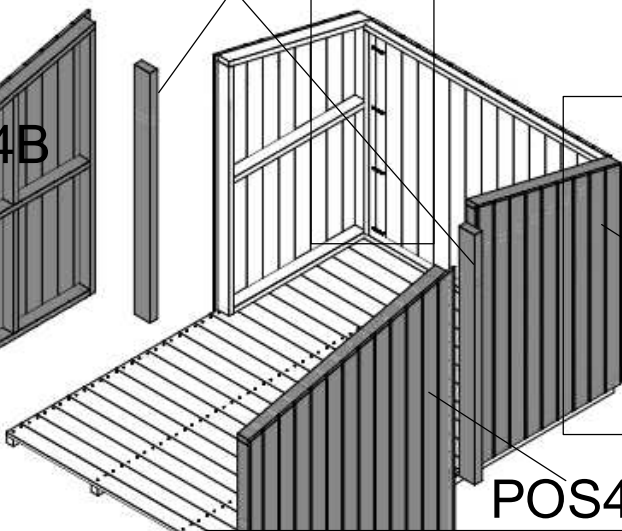
4x60mm



POS5

A

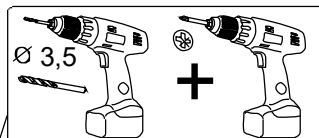
POS4B



A

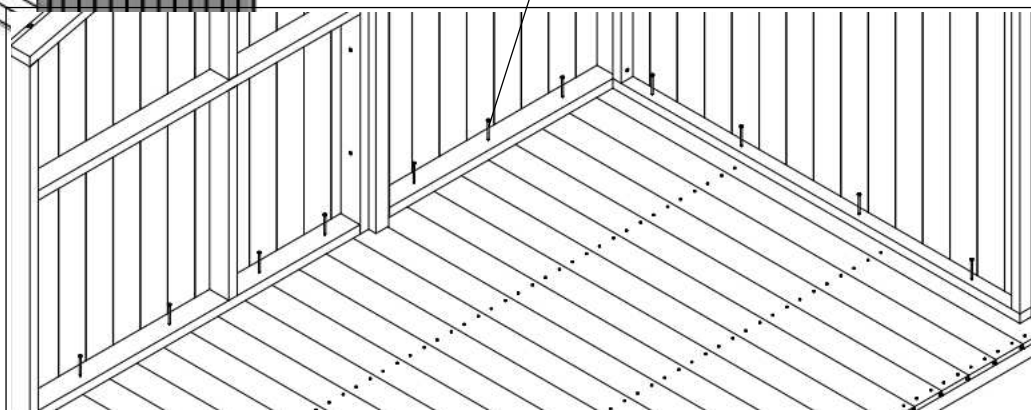
POS3A

POS4A

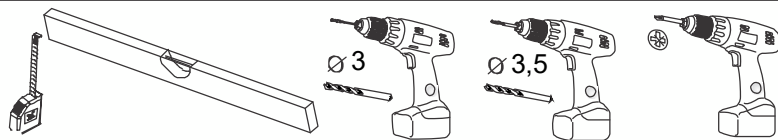


14X

4x60mm



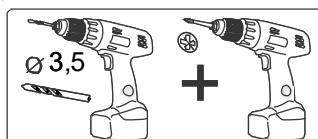
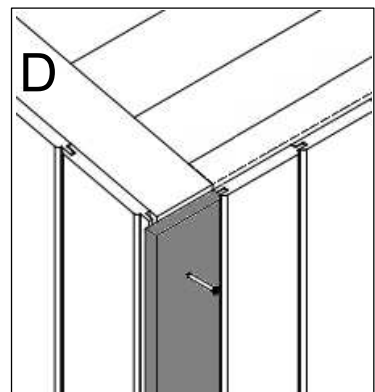
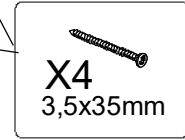
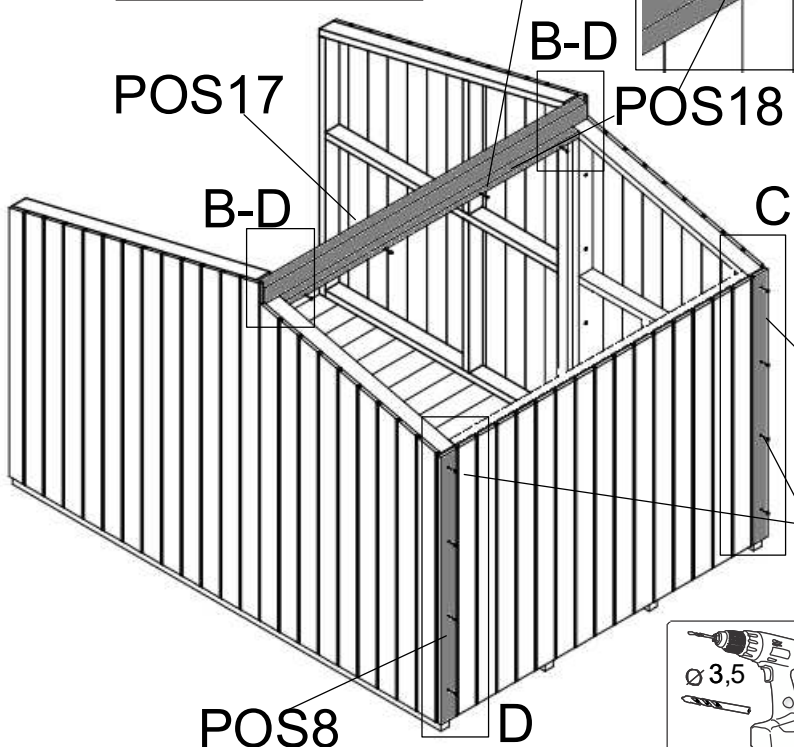
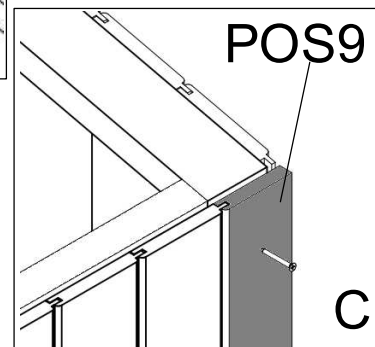
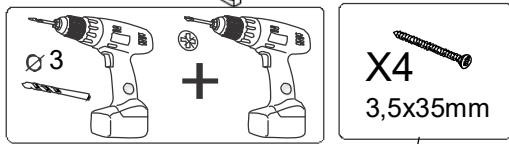
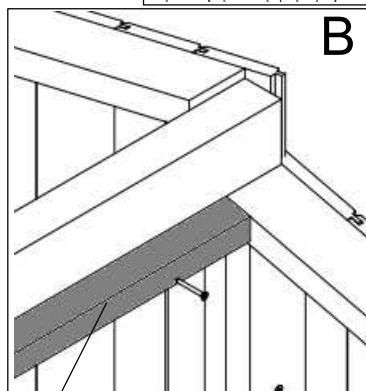
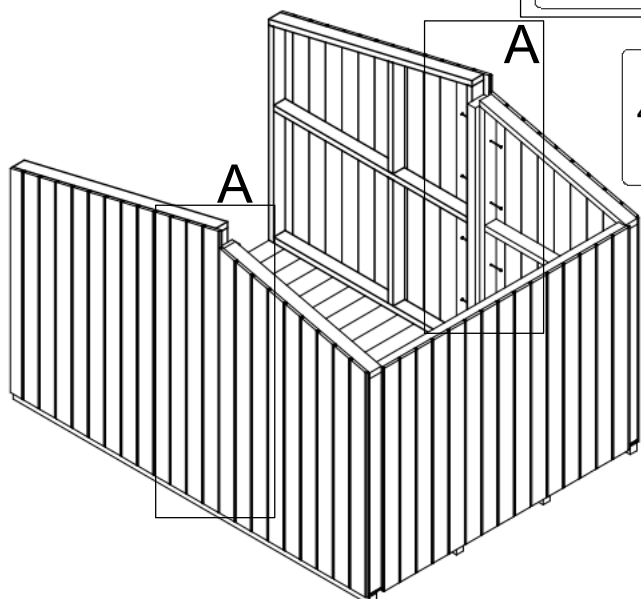
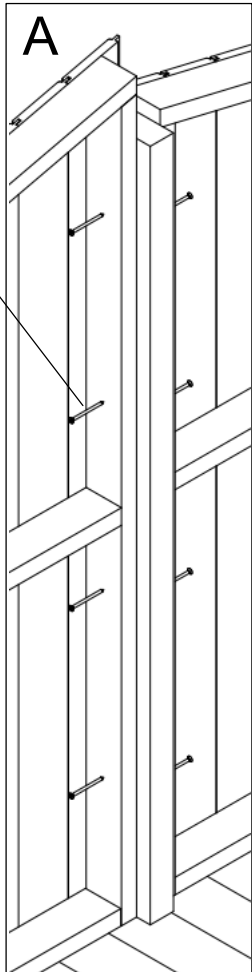
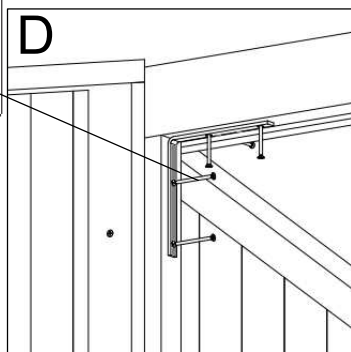
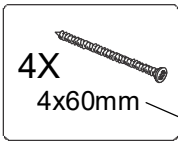
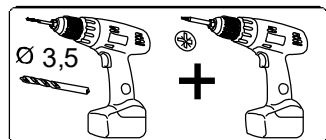
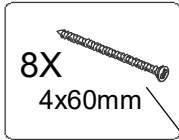
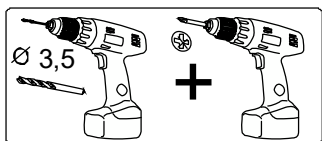
3



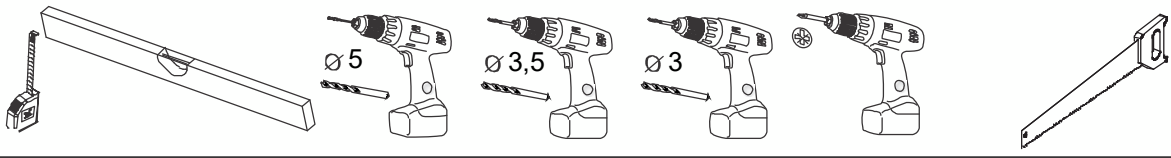
POS

- 8 13,5x78x1082 1X
- 9 13,5x78x1082 1X
- 17 43x90x1500 1X
- 18 20,6x27,6x1370 1X

- X16 3,5x35mm
- 24X 4x60mm
- 2X 150x150mm

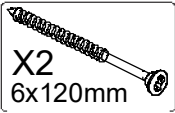


4

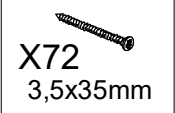


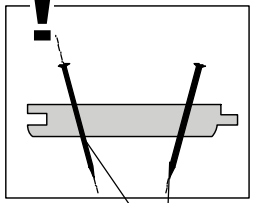
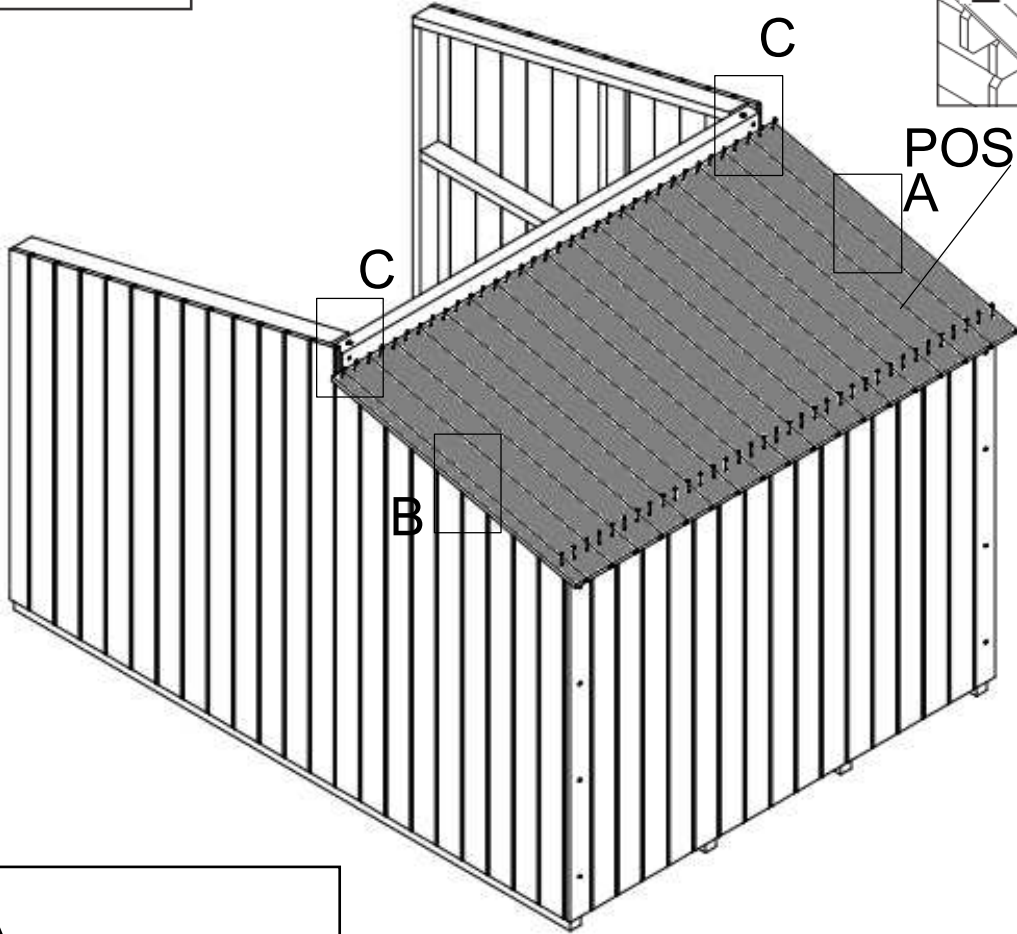
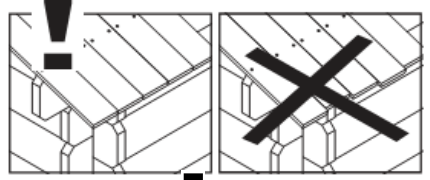
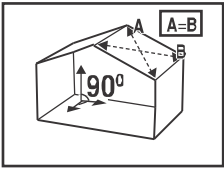
POS

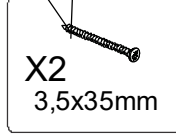
20  15x99x900 18X

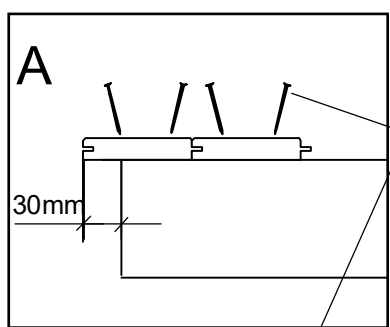
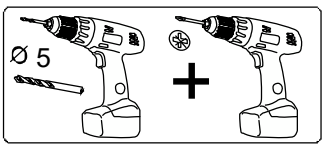
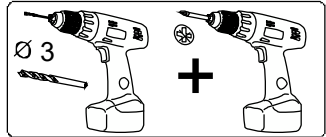
X2  6x120mm

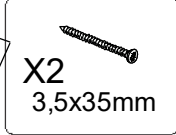
2X  4x60mm

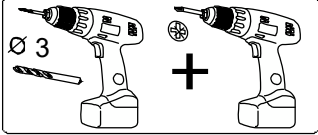
X72  3,5x35mm

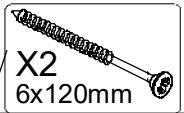


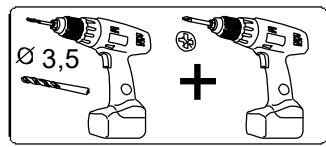
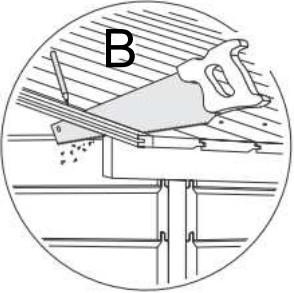
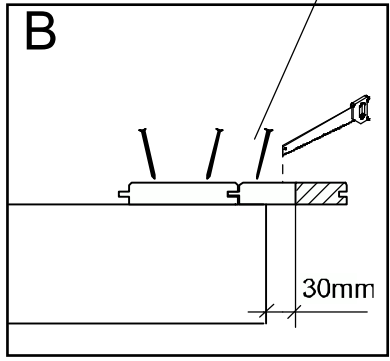
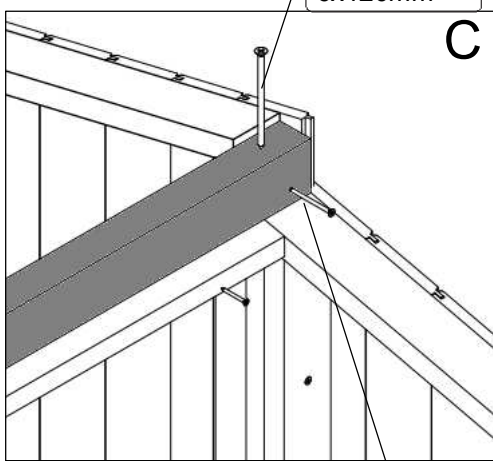
X2  3,5x35mm



X2  3,5x35mm

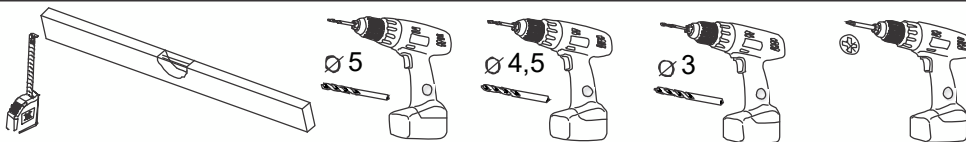


X2  6x120mm





2X  4x60mm


5



POS

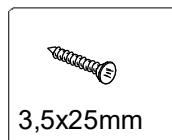
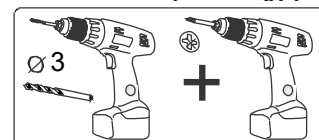
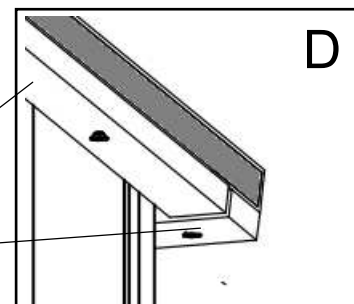
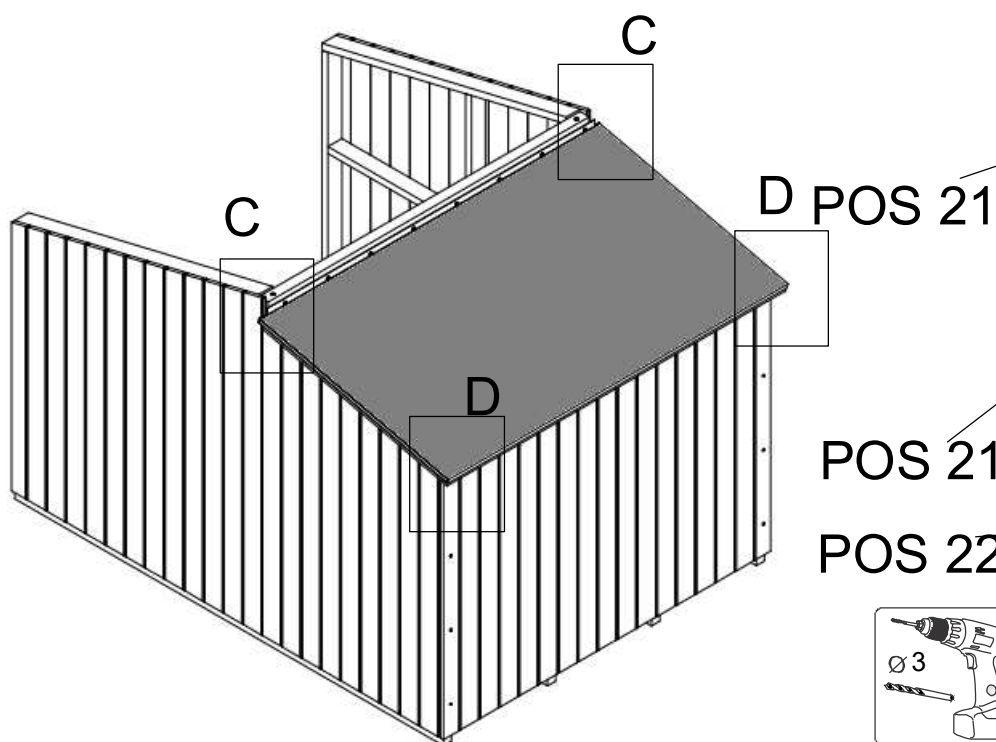
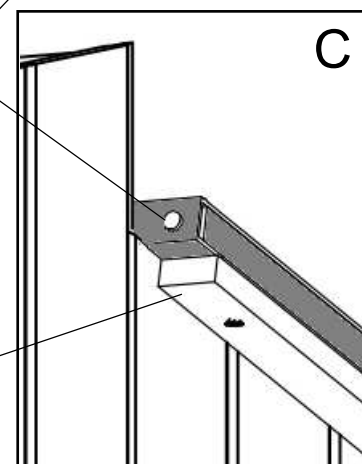
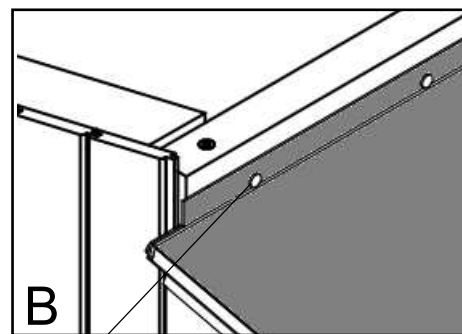
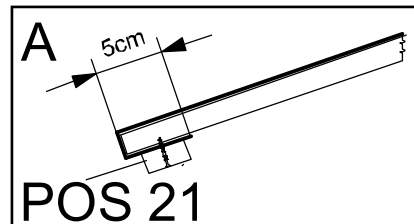
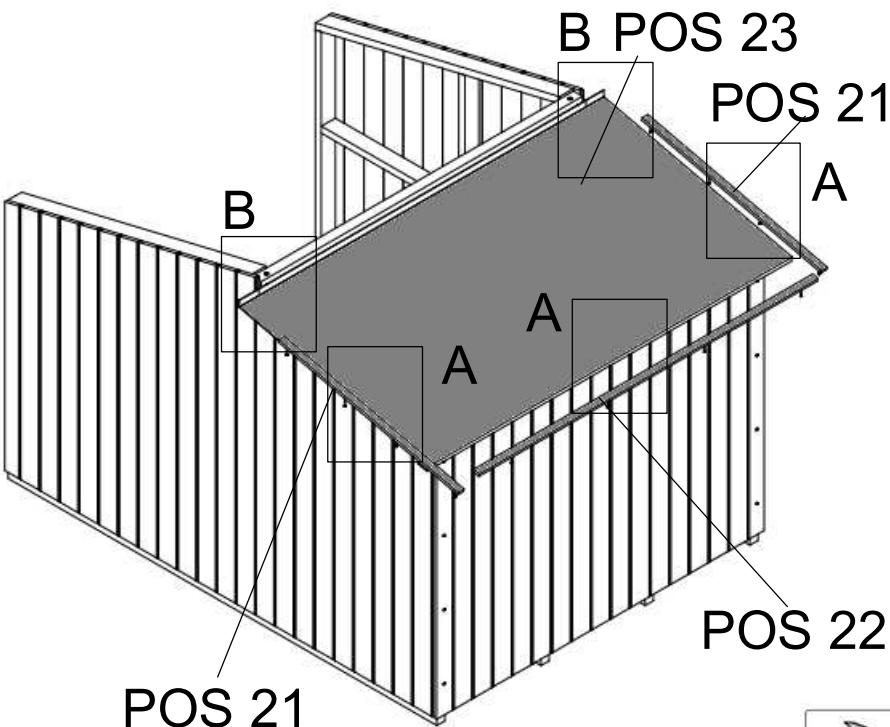
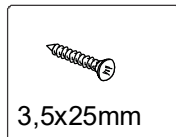
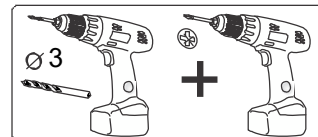
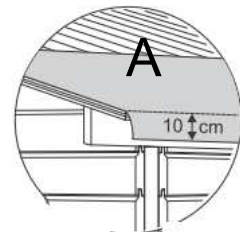
21  12x26x860 2X

22  12x26x1580 1X

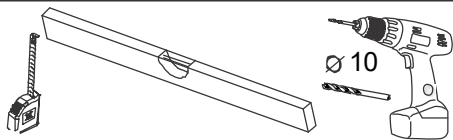
23  1000x1650 1X

 X12
3,5x25mm

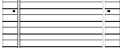



 12X
Ø 2x16

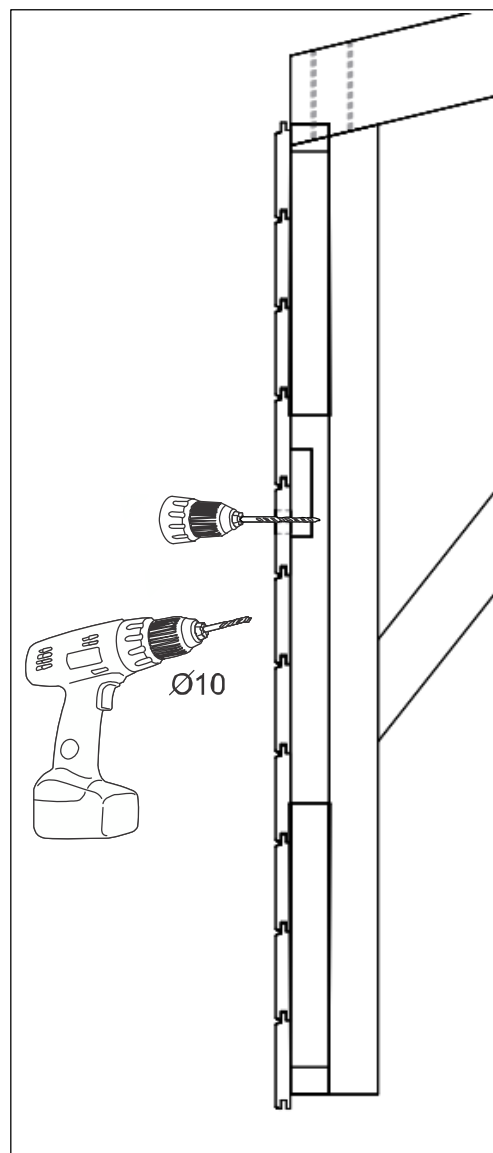
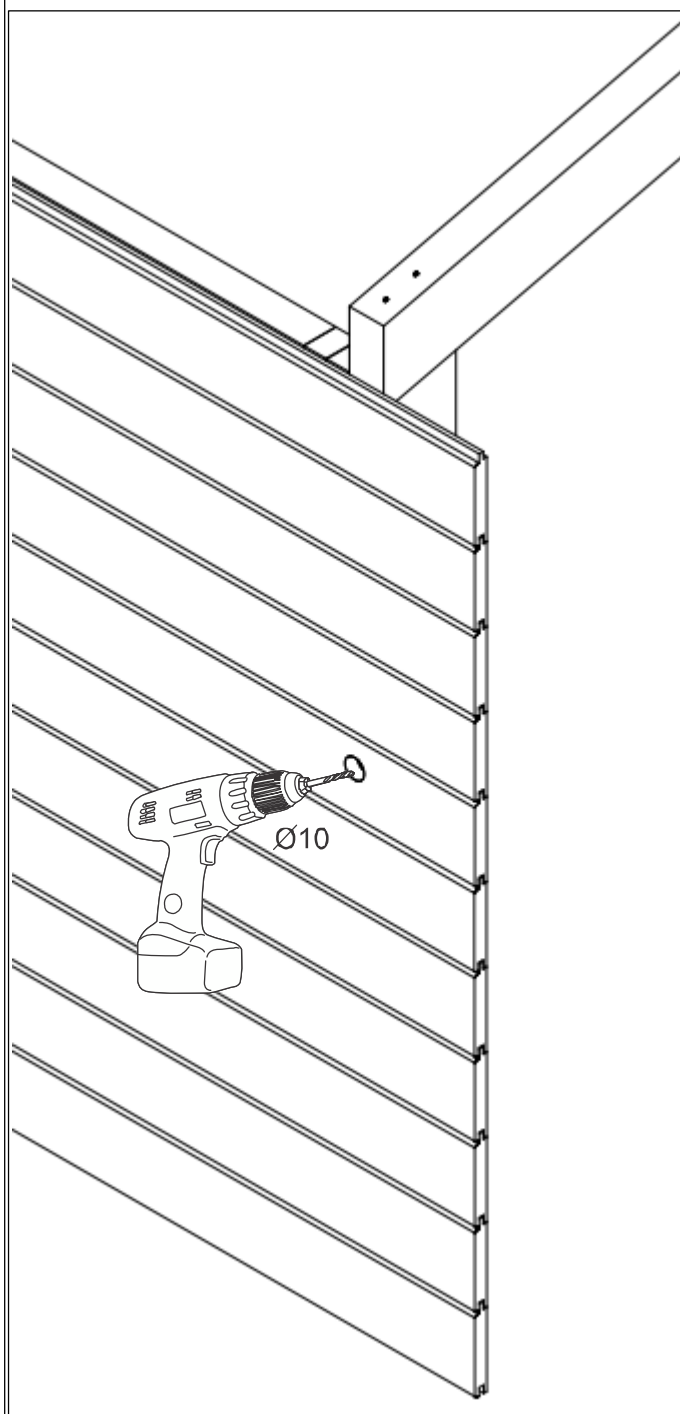


6

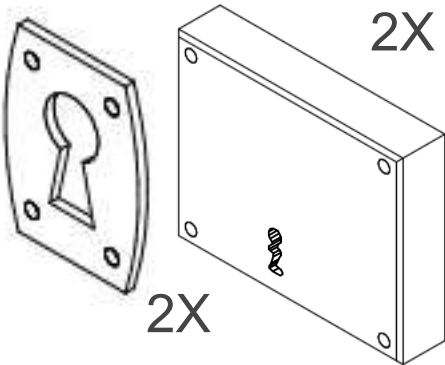
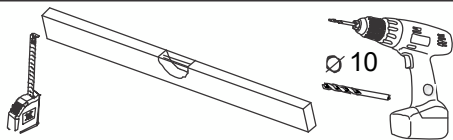


POS

- | | | |
|-----|---|------------------|
| 10 |  | 1554x1018 1X |
| 11 |  | 43x90x1000 2X |
| 12 |  | 43x90x1192 2X |
| 13 |  | 43x90x1000 2X |
| 16B |  | 20,6x27,6x300 4X |



7



2X

6X

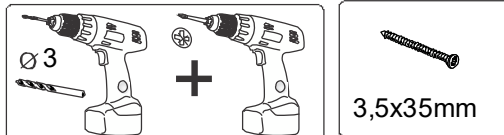
2,5x12mm

8X

3,5x35mm

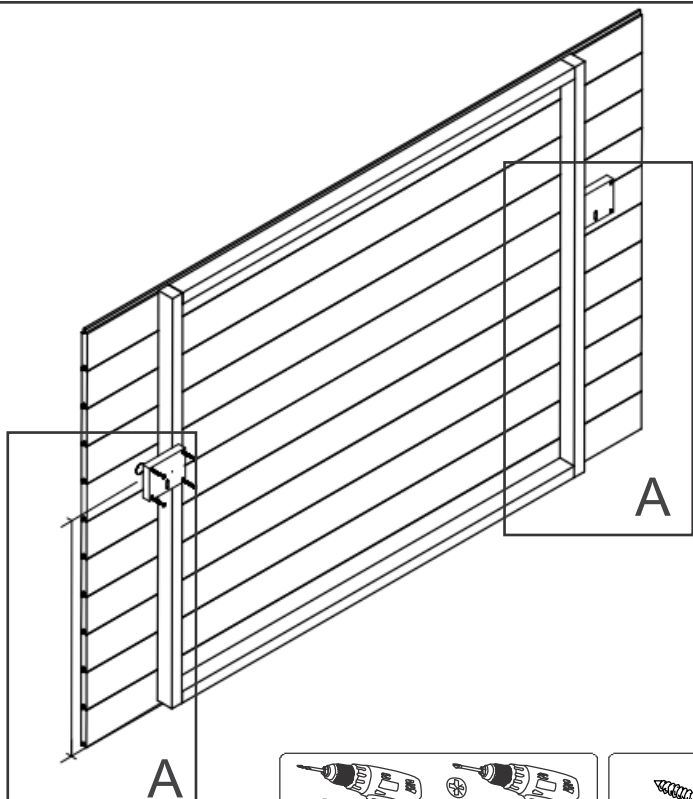
8X

M6



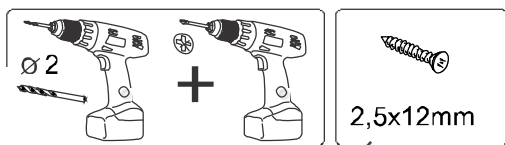
Ø 3

3,5x35mm



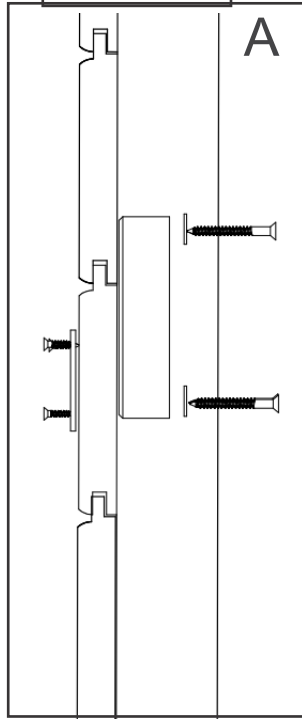
A

A

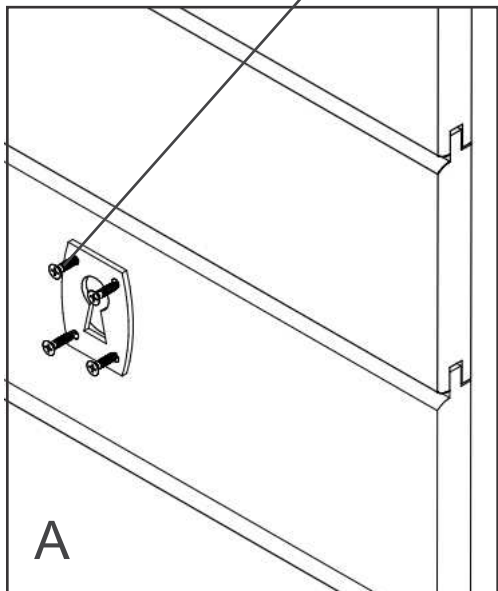


Ø 2

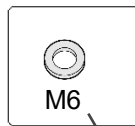
2,5x12mm



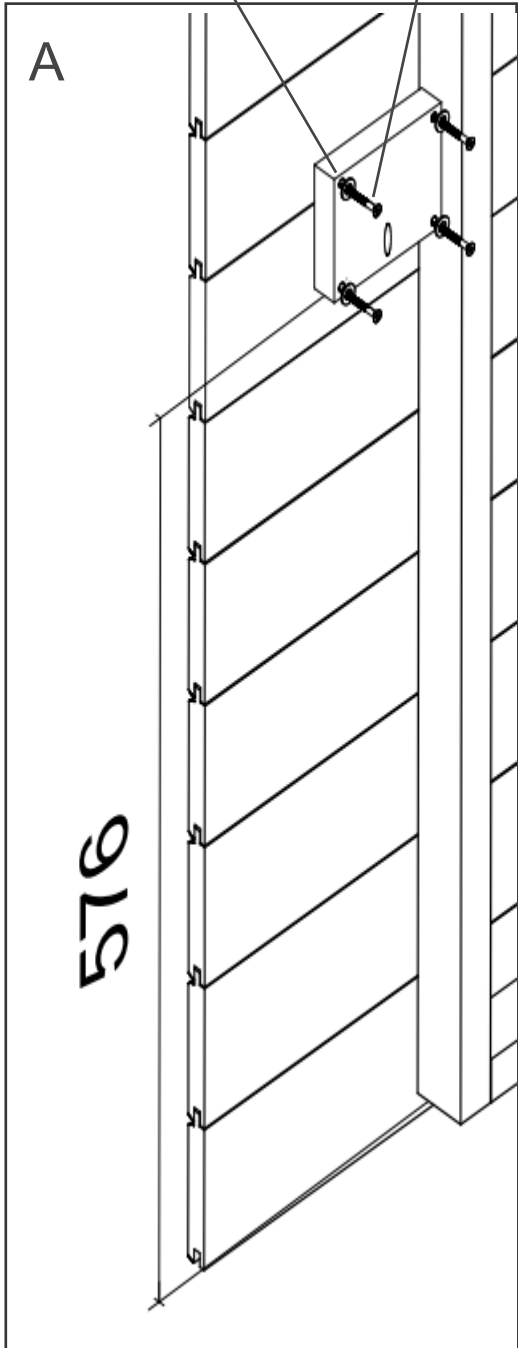
A



A



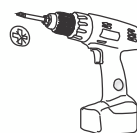
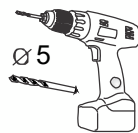
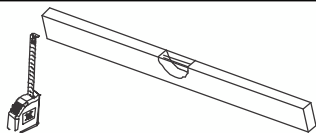
M6









A

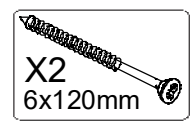
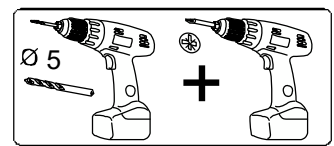
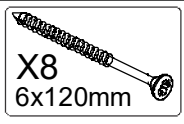
576

8

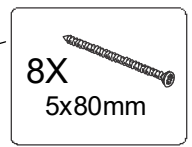
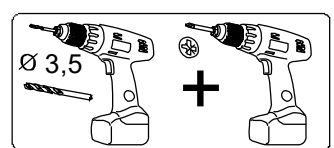
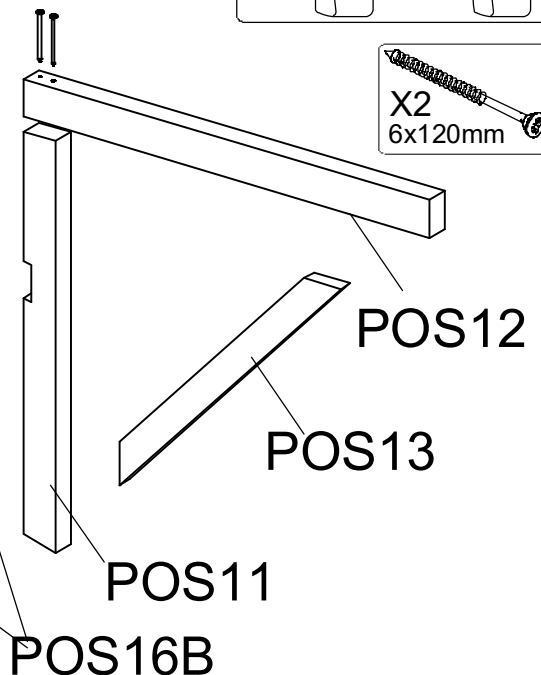
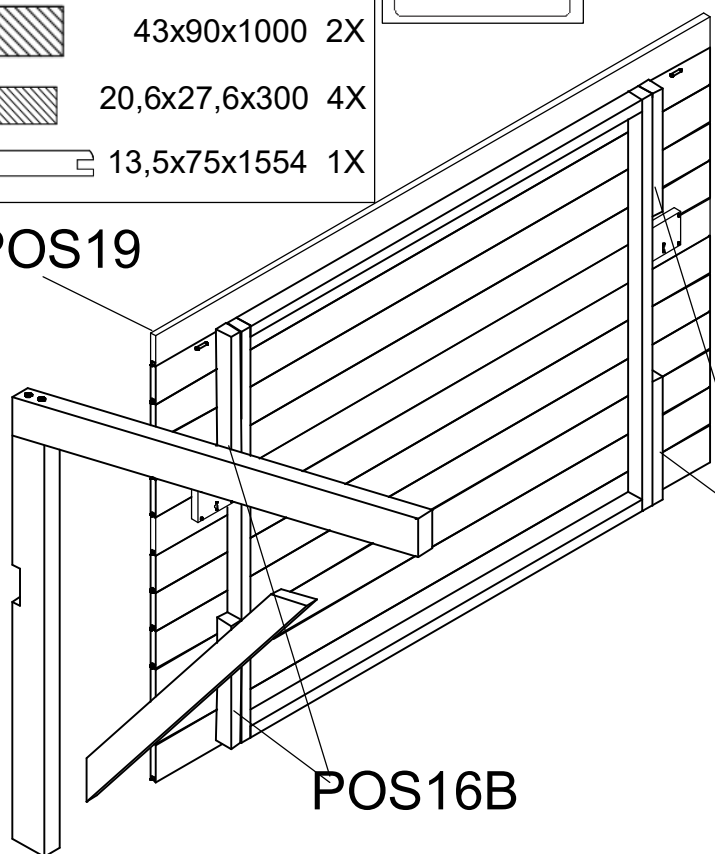


POS

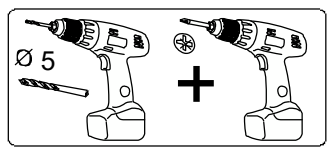
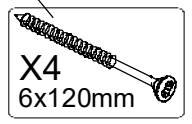
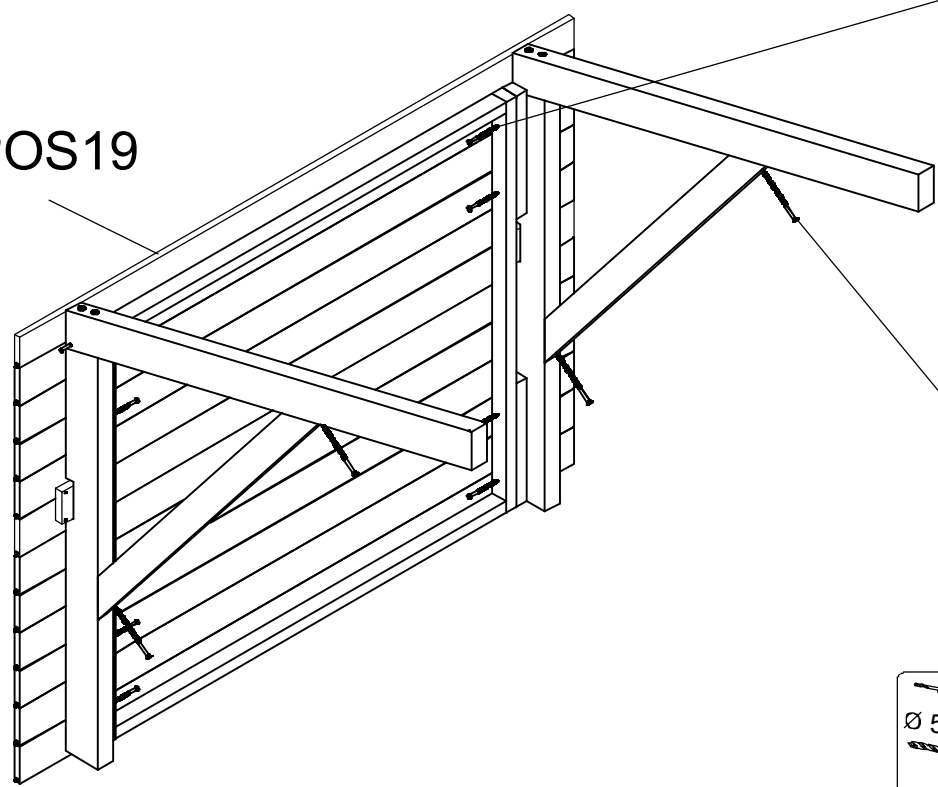
- 10  1554x1018 1X
- 11  43x90x1000 2X
- 12  43x90x1192 2X
- 13  43x90x1000 2X
- 16B  20,6x27,6x300 4X
- 19  13,5x75x1554 1X



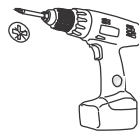
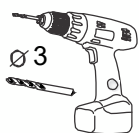
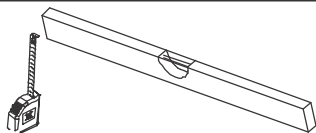
POS19



POS19

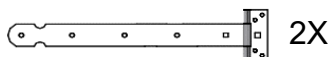


9

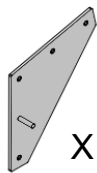


POS

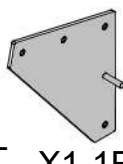
25



2X



X1 L



X1-1R

X8

4x60mm

X12

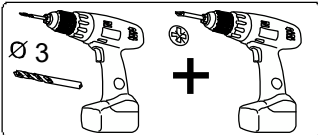
3,5x35mm

2X

5x80mm

2X

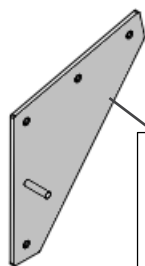
M6



+

X4

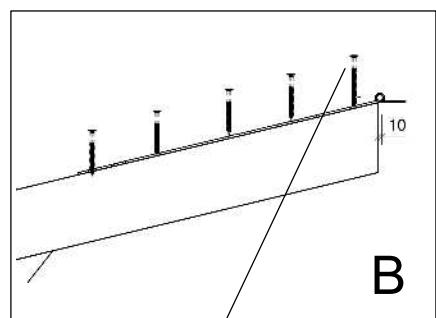
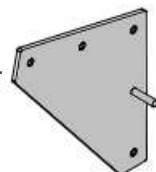
3,5x35mm



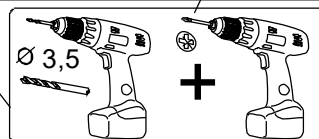
A

A

B



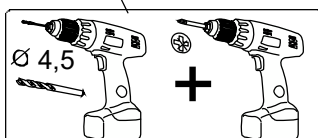
B



+

M6

5x80mm



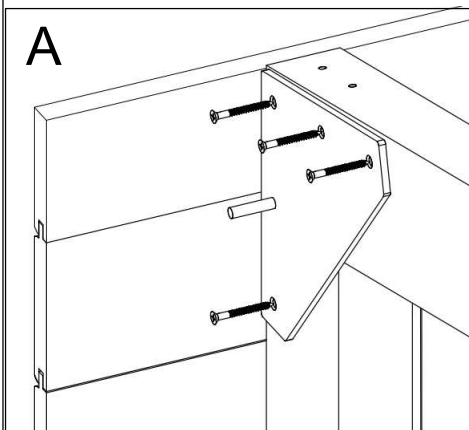
+

X4

4x60mm

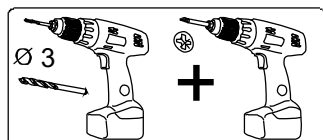
M6

A



C

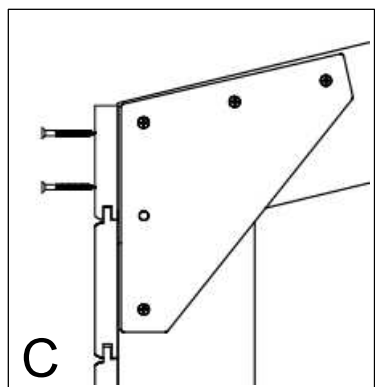
C



+

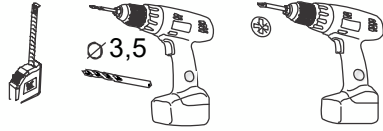
X2

3,5x35mm



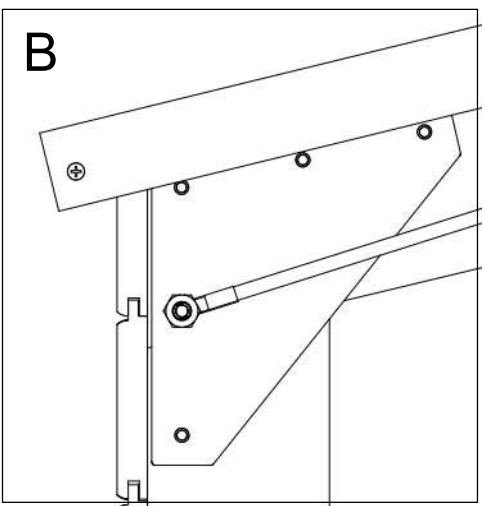
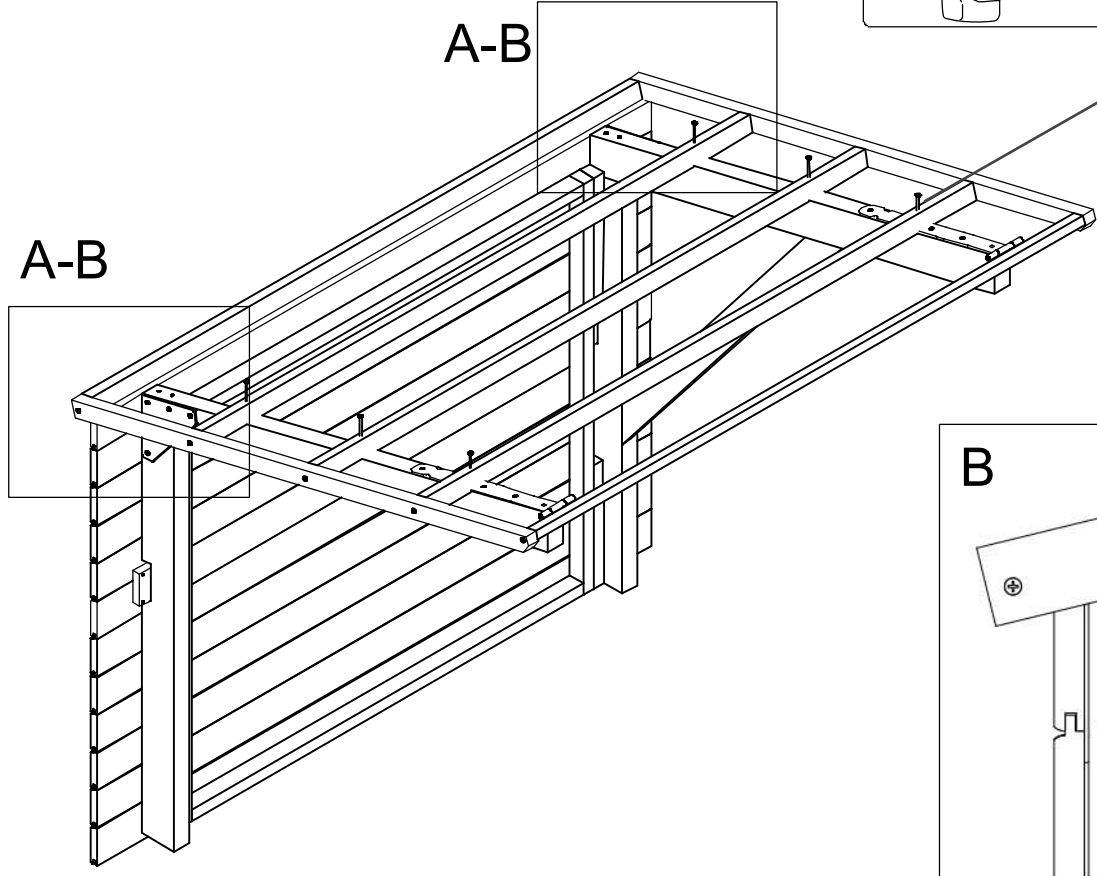
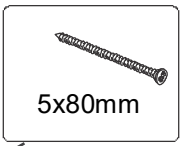
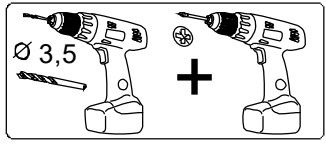
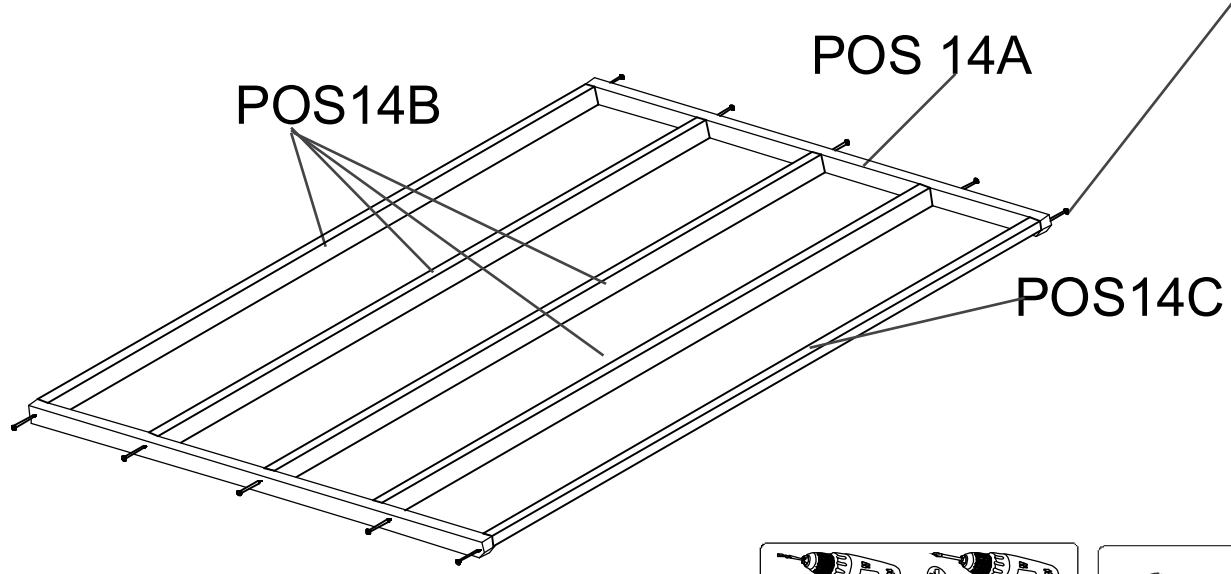
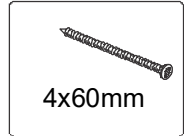
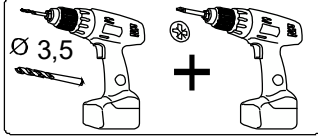
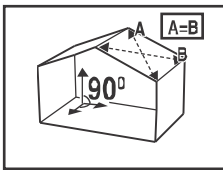
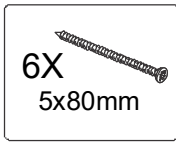
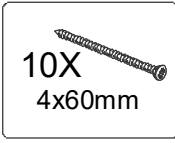
C

10

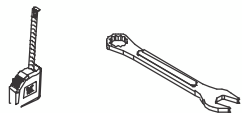


POS

14A		28x40x1310mm	2X
14B		28x40x1535mm	5X
14C		20,6x27,6x1535mm	1X



11



POS

26



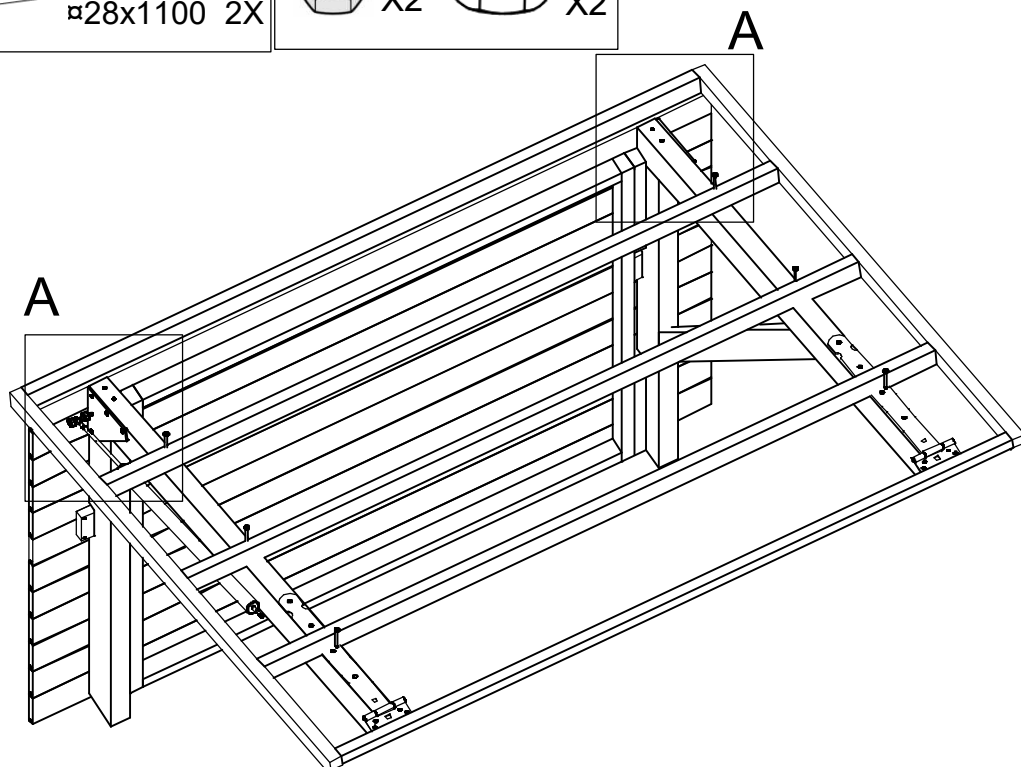
∅28x1100 2X



X2

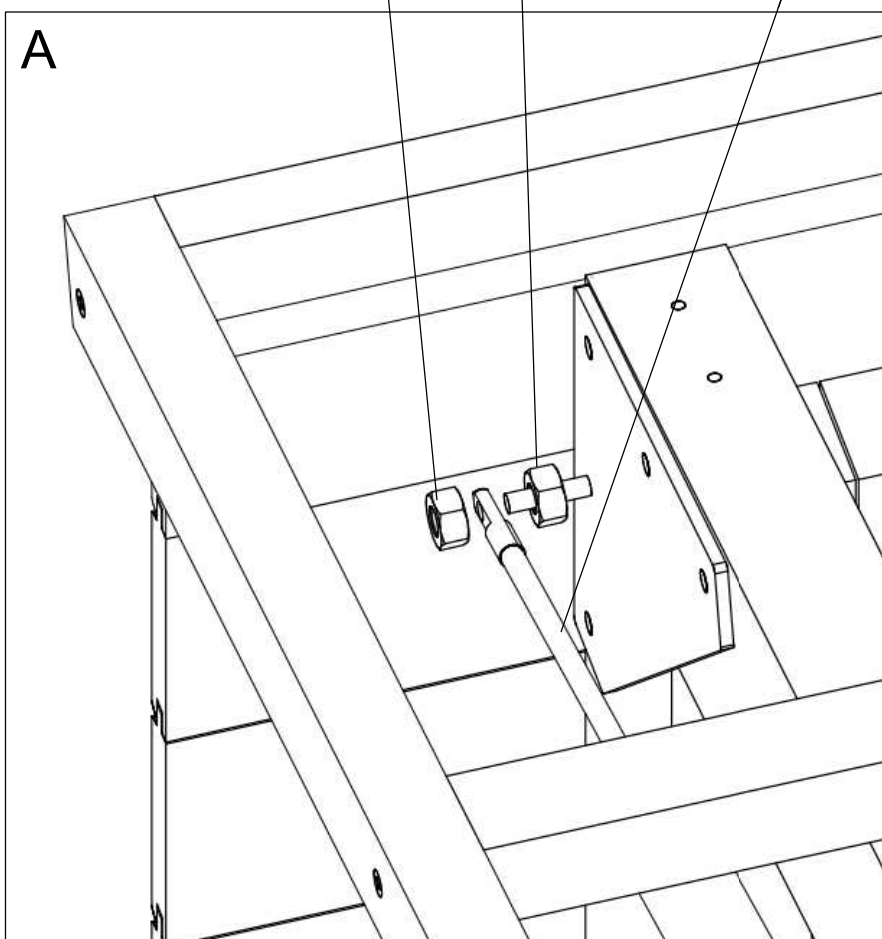


X2

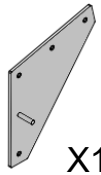
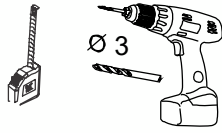


POS 26

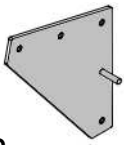
A



12



X1 R



X1 L

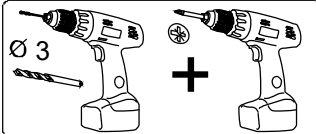
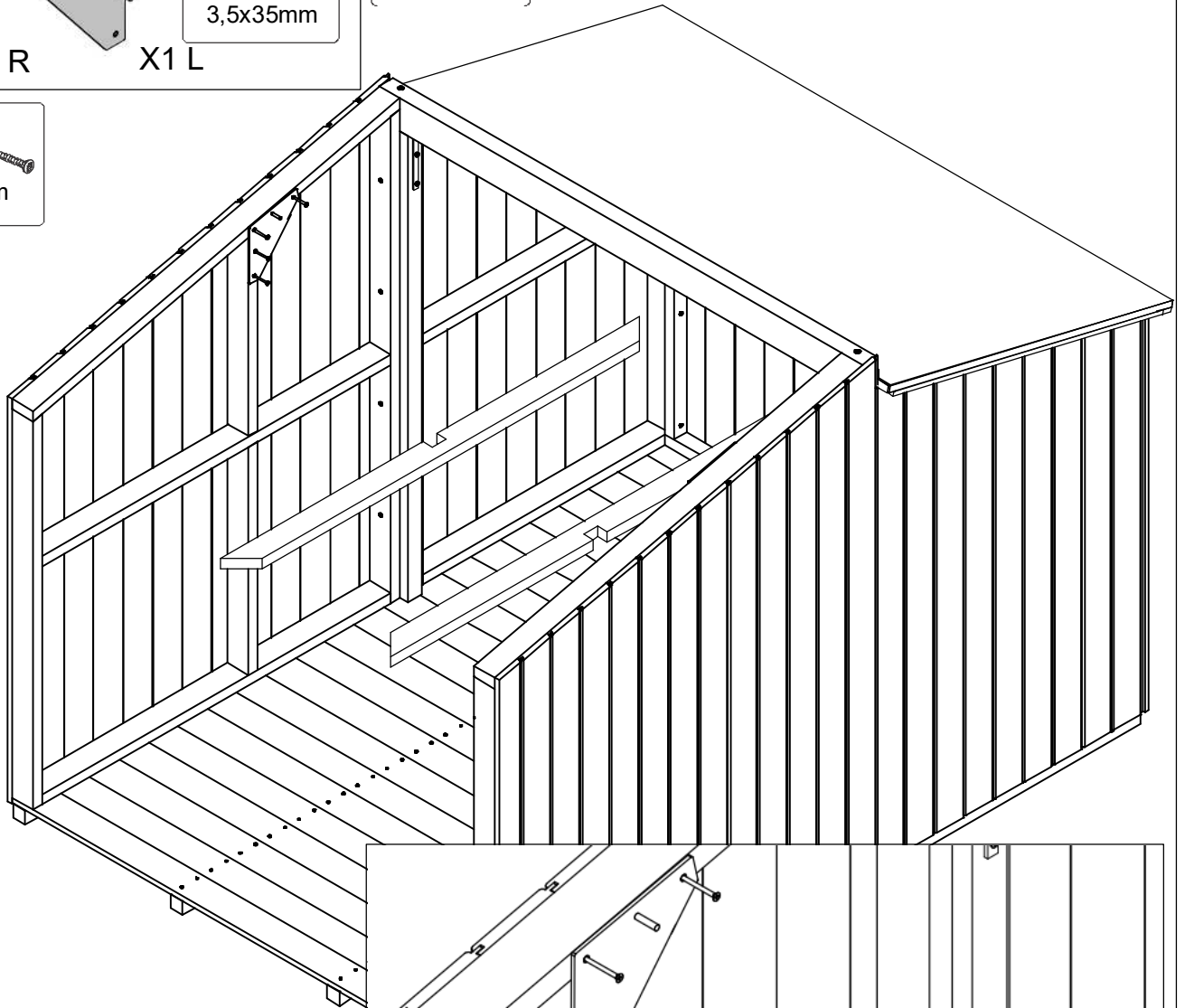
X8
3,5x35mm



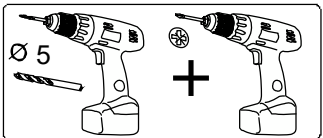
X4
6x120mm



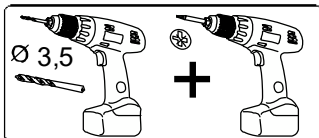
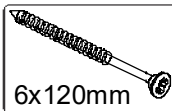
X4
5x80mm



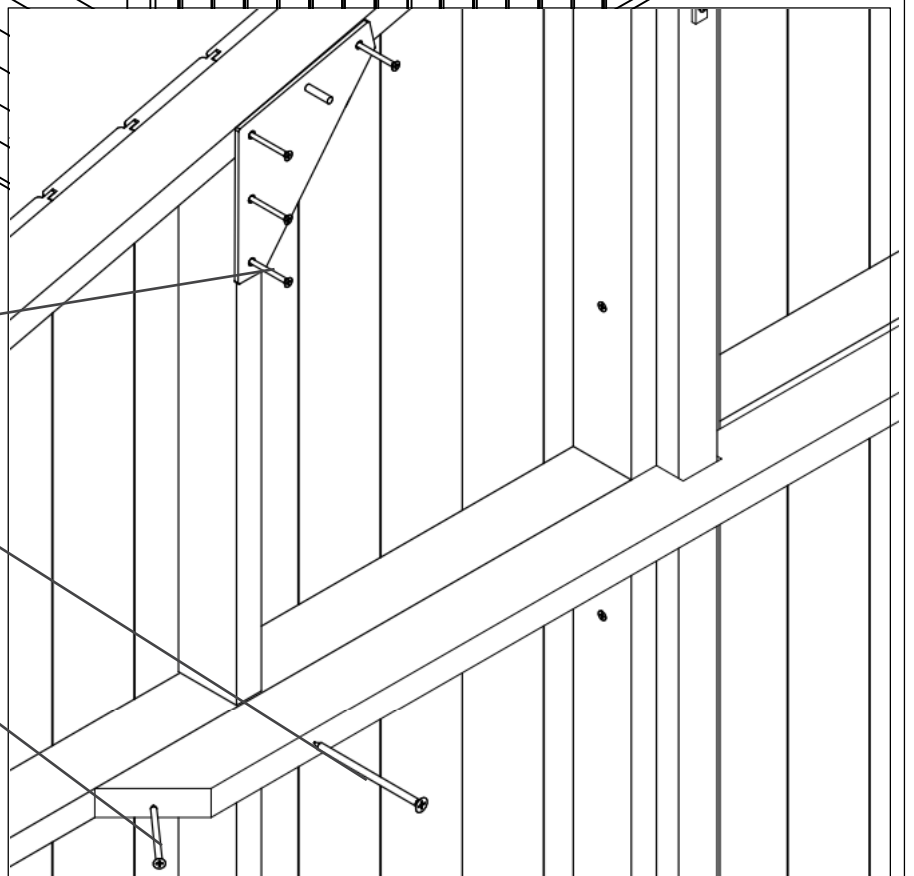
3,5x35mm



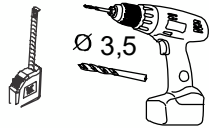
6x120mm



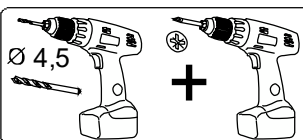
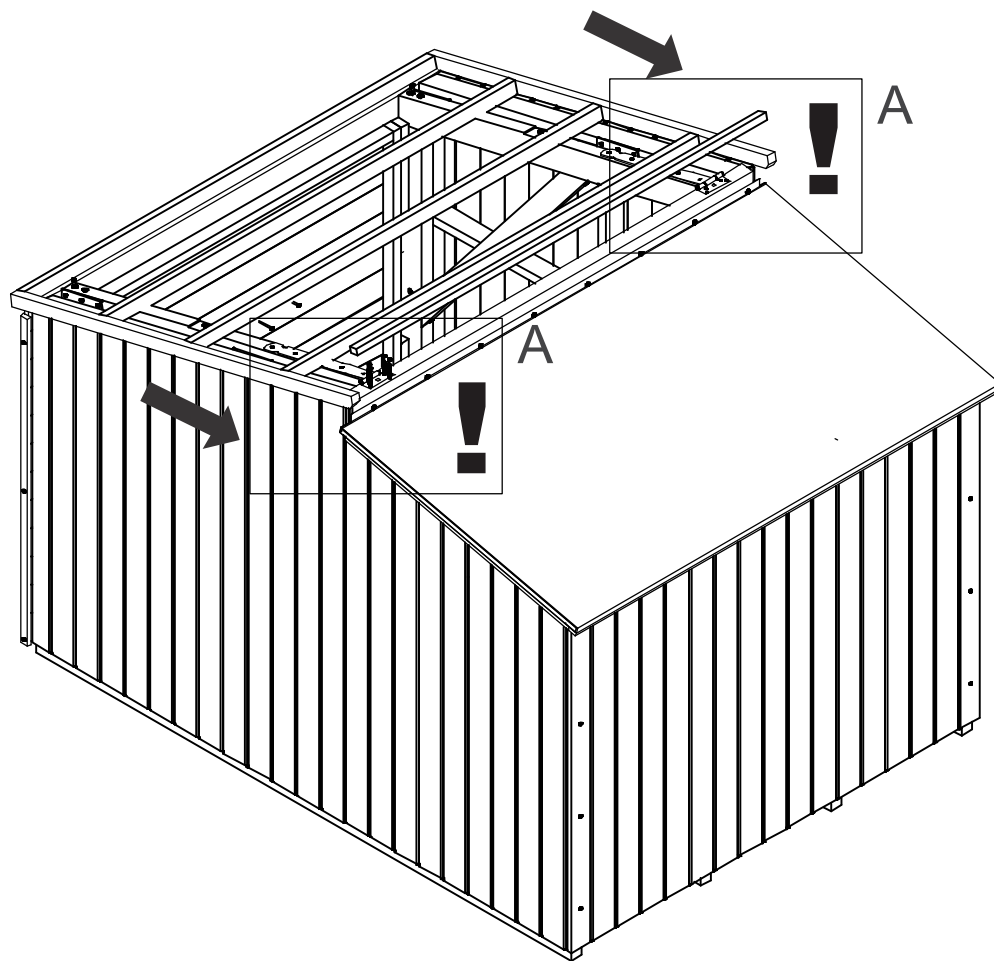
5x80mm



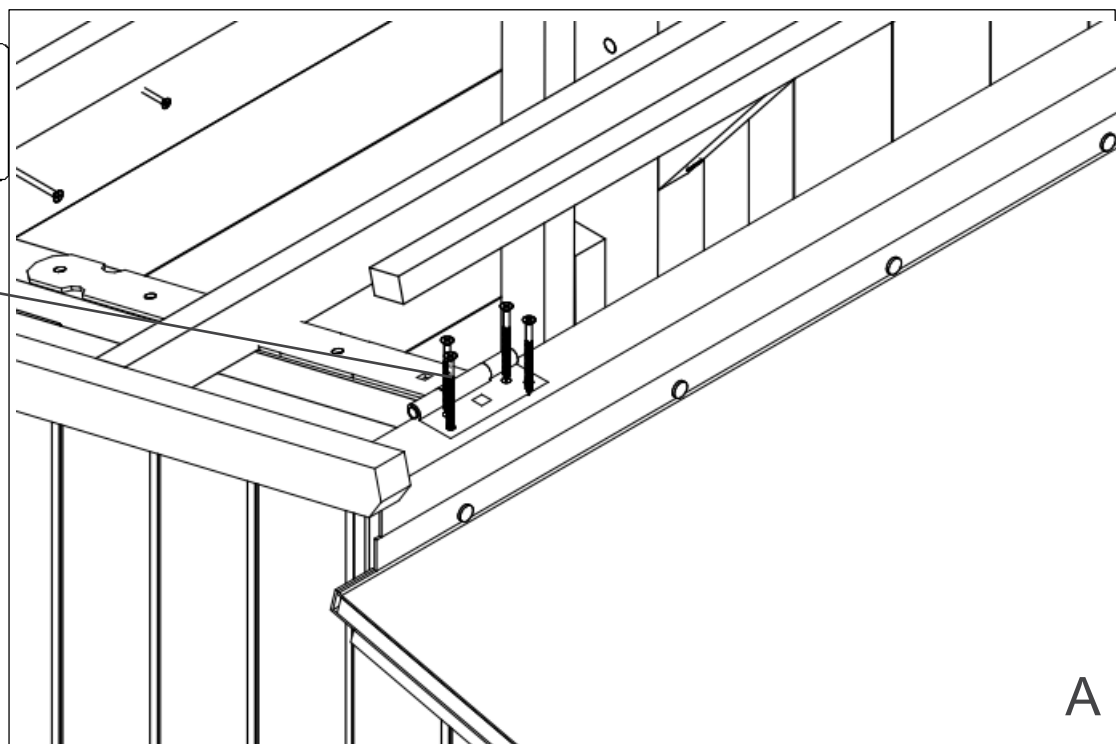
13



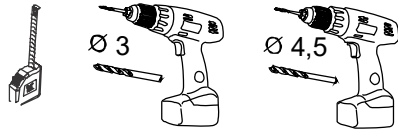
X8
4x60mm



X4
4x60mm



14



POS

16A



27,6x40x500 2X



X2

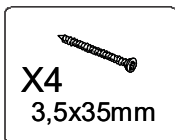
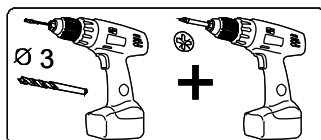
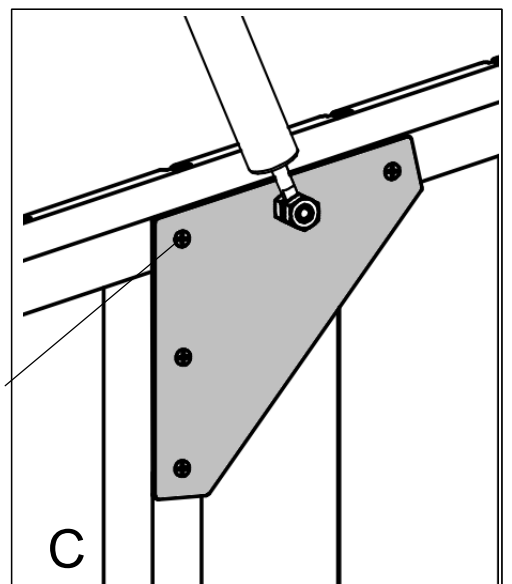
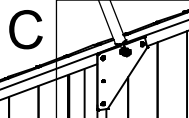
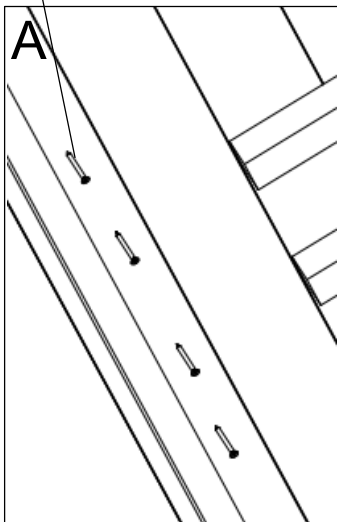
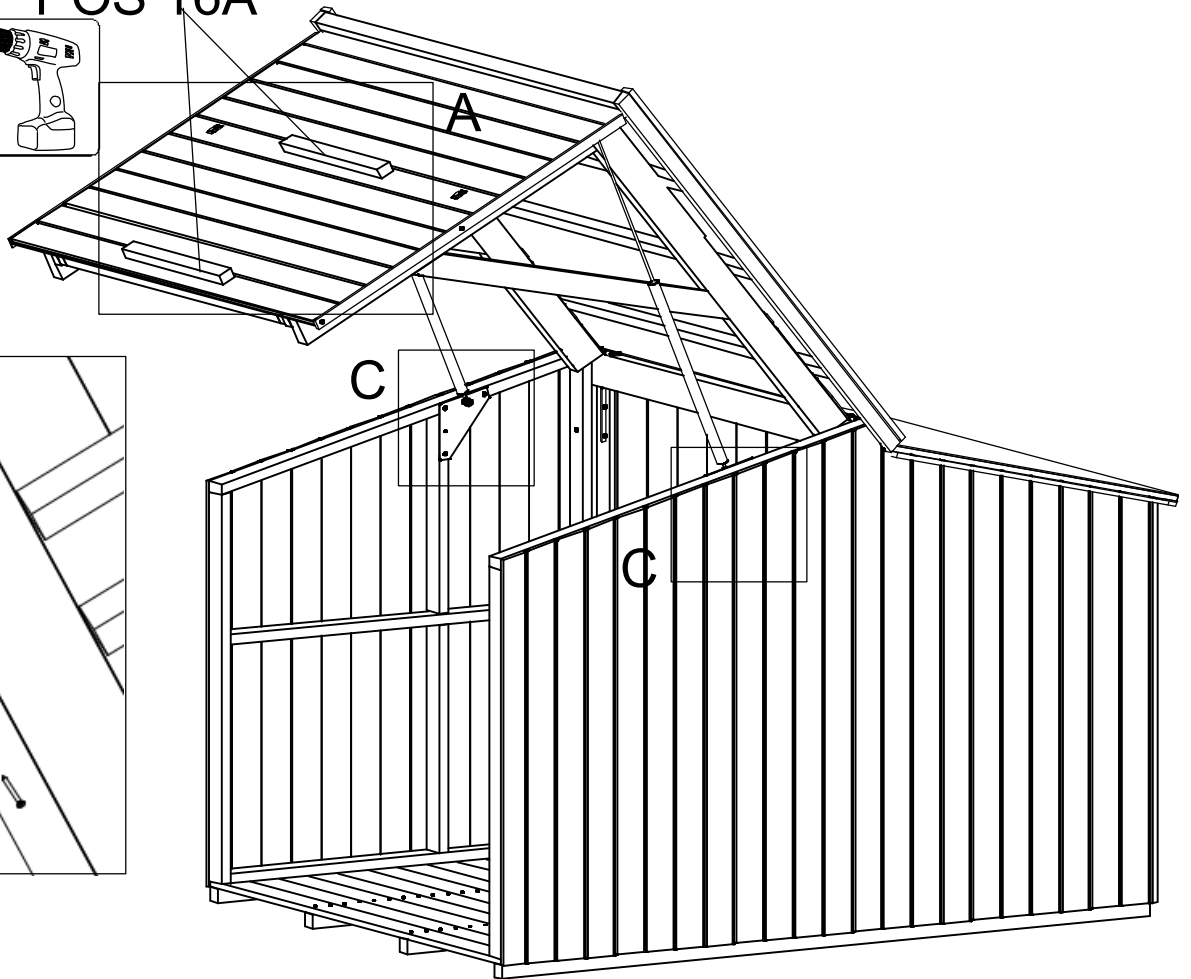
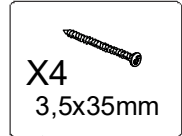
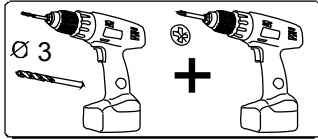


X2

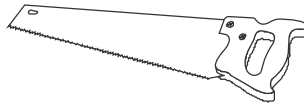
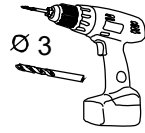


X16
3,5x35mm


POS 16A




15




POS

15  12x26x1018 2X

27  12x42x1356 2X

28  12x42x1510 1X

24.  750x1580 2X

X15
3,5x35mm



POS27

POS28

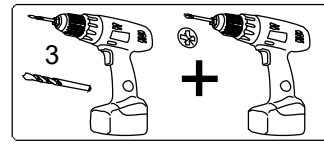
POS24

-1310-

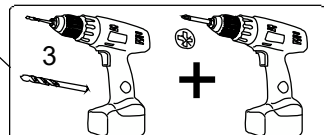
-1506-

2.

1.



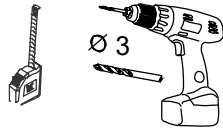
X3
3,5x25mm



X3
3,5x25mm

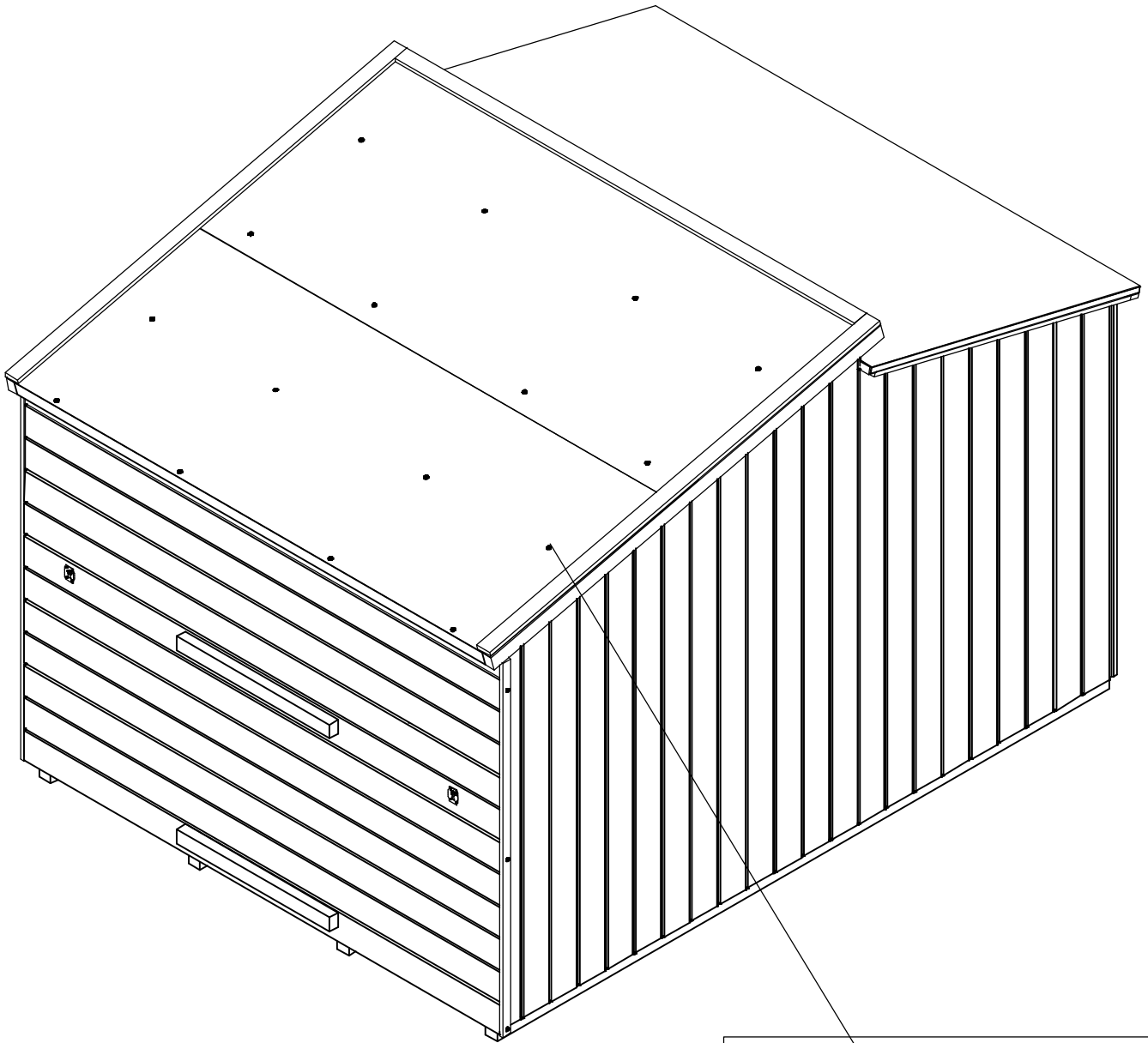


16

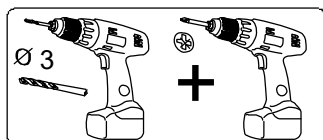


X16
3,5x25mm

X16
5,5x16



5,5x16



X3
3,5x25mm

